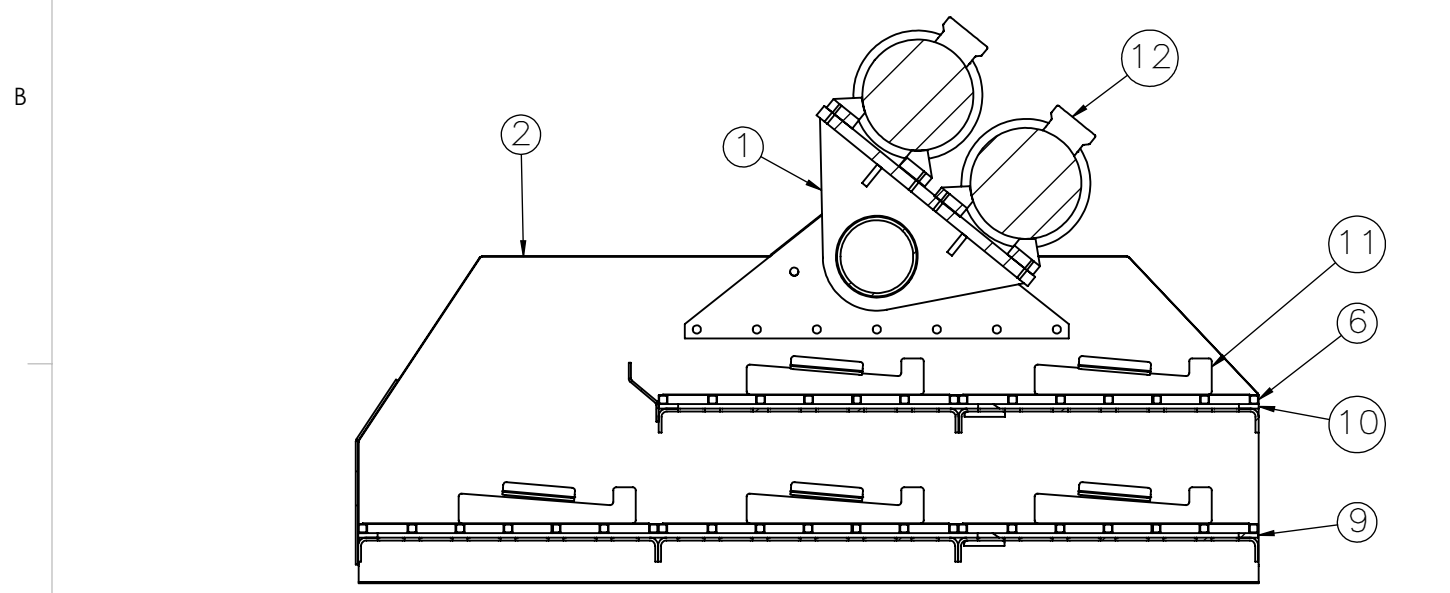
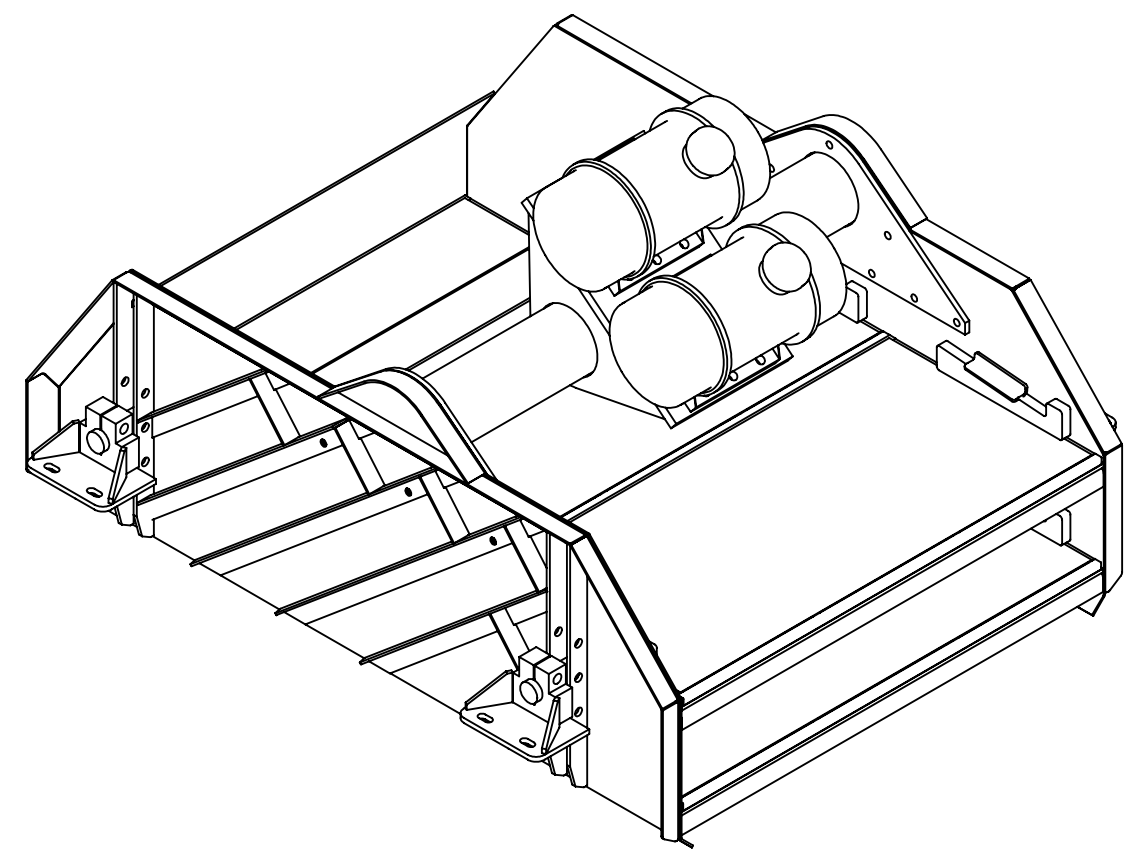
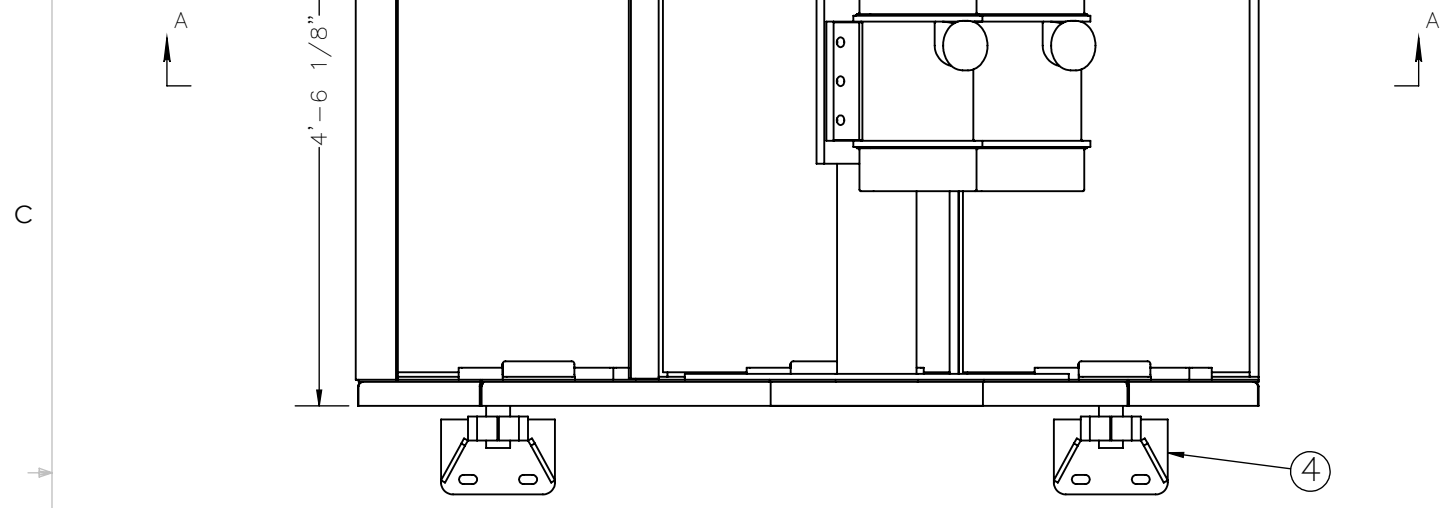


ITEM NO.	QTY.	DESCRIPTION	PartNo
1	1	146L-6 MOTOR MOUNT	03-03-621
2	1	146L-6 WELDMENT	N/A
4	4	146L-148L SUPPORT BRACKET	03-01-619
6	5	146L SCREEN	
9	1	BOTTOM SCREEN RUBBER	
10	1	TOP SCREEN RUBBER	
11	10	SHAKER WEDGE	12-00-489
12	2	VIMARC MOTOR CDP 150-4	12-00-593
13	4	SHAKER SCREEN CATCH	



SECTION A-A

**PROPRIETARY AND CONFIDENTIAL**  
 THE INFORMATION CONTAINED IN THIS DRAWING IS THE SOLE PROPERTY OF TRIFLO. ANY REPRODUCTION IN PART OR AS A WHOLE WITHOUT THE WRITTEN PERMISSION OF TRIFLO IS PROHIBITED.

MACHINING TOLERANCES:  
 FRACTIONAL = ± 1/64  
 .X = ± .03  
 .XX = ± .015  
 .XXX = ± .005  
 ANGULAR ± 1/2"  
 ALL DIMENSIONS IN INCHES

NAME		DATE		<b>Triflo</b>					
DRAWN		CHECKED							
ENG APPR.		MFG APPR.		TITLE: <b>146L DD SHAKER</b>		JOB. NO.		REV	
DO NOT SCALE DRAWING		SCALE: 1:8		SIZE <b>B</b> DWG. NO. <b>15-00-032 Shaker, 146L-6 DoubleDeck</b>		WEIGHT:		Assy <b>01</b>	
								SHEET 1 OF 16	