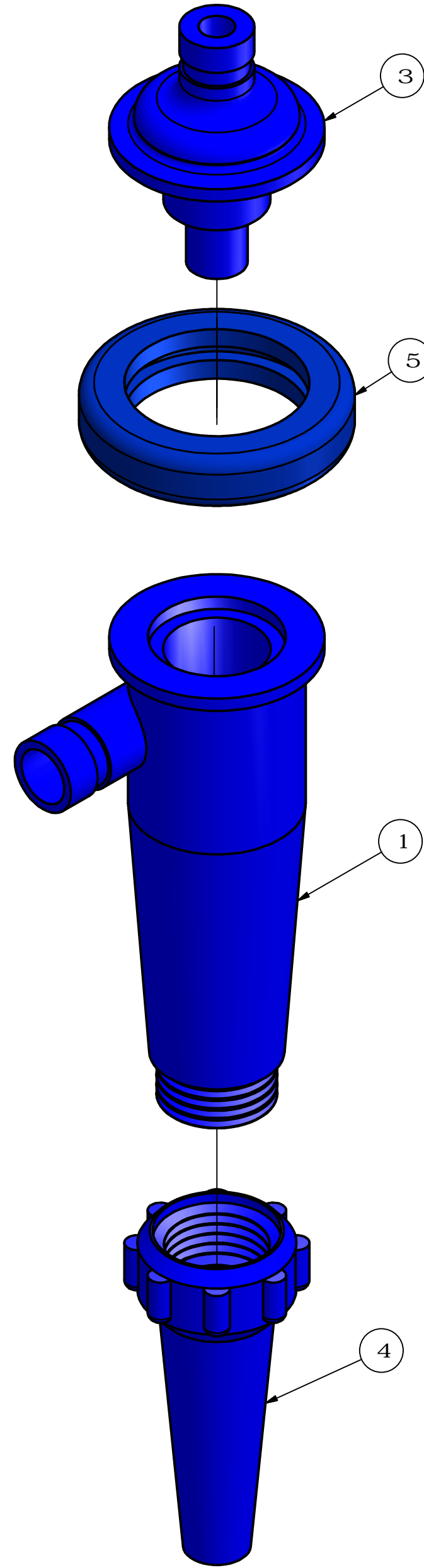


PARTS LIST			
ITEM	QTY	PART NUMBER	DESCRIPTION
1	1	03-00-056	Cone, 2 Cone Section
3	1	03-00-055	Cone, 2 Feed Section
4	1	03-00-172	Cone, 2 Lower Section
5	1	05-00-117	Cone, 2 Clamp



DRAWN rcturk	4/5/2016	TITLE 2 INCH CONE COMPLETE 03-00-051		
CHECKED				
QA				
MFG				
APPROVED		SIZE C	DWG NO 2 inch cone	REV
		SCALE		SHEET 1 OF 1