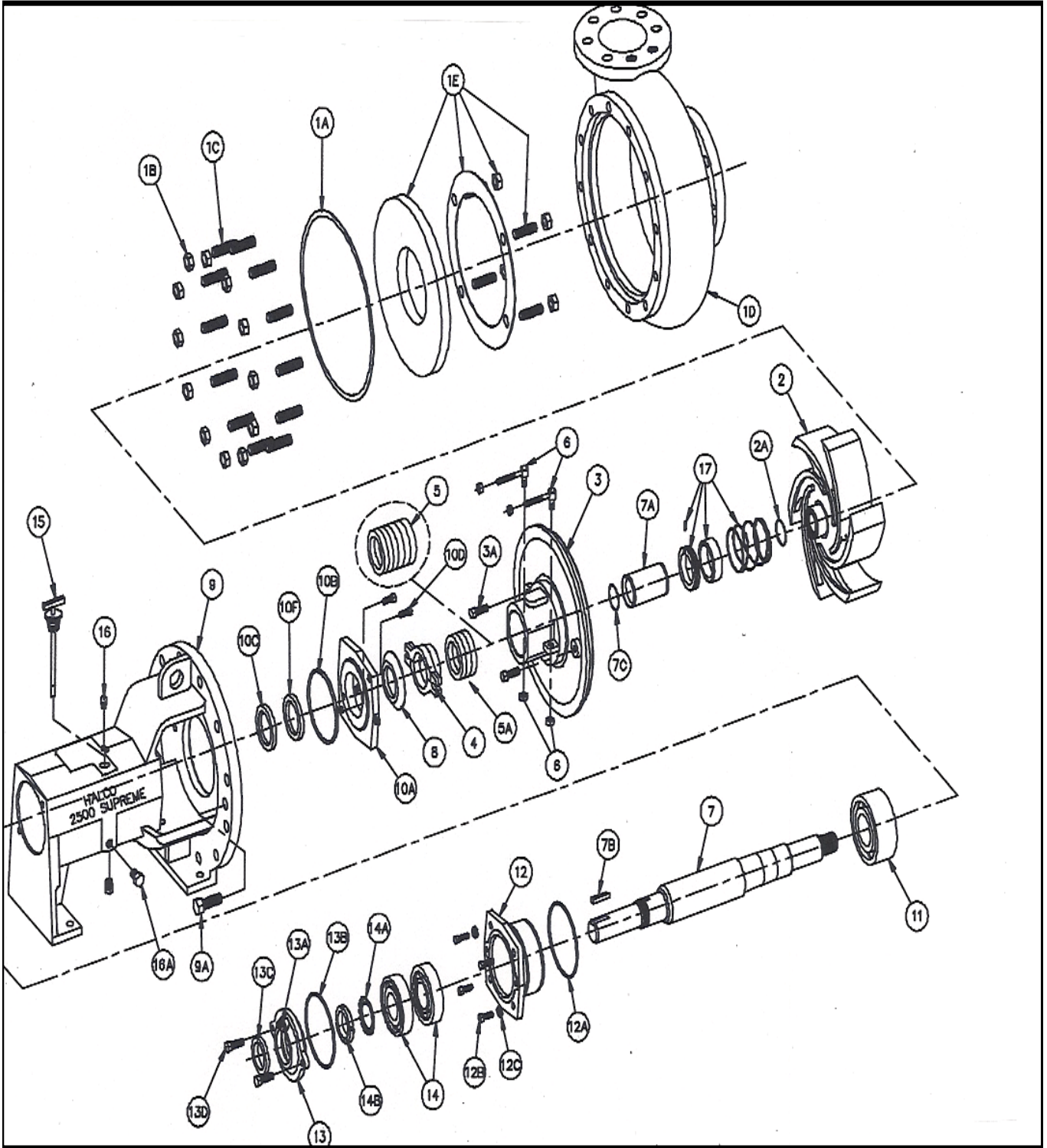




2500 PUMP



| Item | Qty | Part Number | Part Name | Material |
|-------|-----|---------------|------------------------------|----------------------------|
| 1 | 1 | See Next Page | Casing + Item 1A - 1E | Hard Iron |
| 1A* | 1 | 02-01-076 | Gasket, Casing | Fiber |
| 1B | 12 | 02-01-077 | Nut, Casing Stud | Stainless, 3/4-10Hex Head |
| 1C | 8 | 02-01-078 | Stud, Casing | Steel, 3/4-10x3-1/4" Long |
| 1C | 4 | 02-01-079 | Stud, Casing | Steel, 3/4-10x3" Long |
| 1D | 1 | See Next Page | Casing Less Wear Pad Kit | Hard Iron |
| 1E | 1 | See Next Page | Wear Pad | Hard Iron |
| 2 | 1 | See Next Page | Impeller | Hard Iron |
| 2A* | 1 | 02-01-081 | Seal, Impeller | Viton |
| 3 | 1 | 02-01-062 | Stuffing Box Coiver, Seal | Hard Iron |
| 3 | 1 | 02-01-082 | Stuffing Box Cover, Packed | Hard Iron |
| 3A | 2 | 02-00-083 | Bolt, Stuffing Box | Steel 1/2-13x1-1/4" |
| 4 | 1 | 02-01-084 | Gland Set | 300 Stainless Steel |
| 5 | 1 | 02-01-085 | Packing 5 Rings & Lant. Ring | Graphite Asbestos |
| 5A | 1 | 02-01-067 | Packing 3 Rings & Lant. Ring | Graphite Asbestos |
| 6 | 2 | 02-01-086 | Bolt, Gland Assembly | 300 Stainless Steel |
| 7 | 1 | 02-01-087 | Shaft | 4140 |
| 7A | 1 | 02-01-068 | Sleeve, Shaft | 416 SS, Ceramic |
| 7B | 1 | 02-01-088 | Key, Coupling End | 416 Stainless Steel |
| 7C* | 1 | 02-01-089 | Seal, Shaft Sleeve | Buna-N |
| 8 | 1 | 02-01-090 | Deflector | Rubber |
| 9 | 1 | 02-01-091 | Frame | Cast Iron |
| 9A | 2 | 02-01-092 | Jack Bolts | Stainless Steel |
| 10A | 1 | 02-01-093 | Cover, Inboard Bearing | Cast Iron |
| 10B* | 1 | 02-01-132 | Gasket, Inboard Brg Cover | Asbestos |
| 10C* | 1 | 02-01-094 | Oil Seal, Inboard Brg Cover | Buna-N |
| 10D | 2 | 02-01-095 | Bolt-Inboard, Bearing Cover | Steel 1-2-13x1-1/2" |
| 10F* | 1 | 02-01-096 | Exclusion Seal, Inbd. Brg. | Buna-N |
| 11 | 1 | 02-01-069 | Bearing, Inboard | Fafnir 5313WBR MRC5313 |
| 12 | 1 | 02-01-097 | Housing, Outboard Bearing | Cast Iron |
| 12A* | 1 | 02-01-098 | Seal, Bearing Housing | Buna-N |
| 12B | 4 | 02-01-099 | Bolts, Bearing Housing | stele 1/2-13x1-1/2" |
| 12C | 2 | 02-01-100 | Nuts, Bearing Housing | 300 SS 1/2-13 Jam Nut |
| 13 | 1 | 02-01-101 | Cover, Outboard Bearing | Ductile Iron |
| 13B* | 1 | 02-01-103 | Seal, Outboard Brg. Cover | Buna-N |
| 13C* | 1 | 02-01-104 | Oil Seal, Outboard Brg Cover | Buna-N |
| 13D | 2 | 02-01-105 | Bolt, Outboard Brg. Cover | 300 SS 3/8-16x1" |
| 14 | 2 | 02-01-070 | Bearing, Outboard | Fafnir 7311 PW-BR-SU MR731 |
| 14A* | 1 | 02-01-106 | Lock Washer, Bearing | SKF-W1" Steel |
| 14B* | 1 | 02-01-107 | Lock Nut, Bearing | SKF-N1 Steel |
| 15 | 1 | 02-01-108 | Dipstick | Rubber and Steel |
| 16 | 1 | 02-01-109 | Breather | Steel |
| 16A | 2 | 02-01-110 | Plug, Oil | Steel |
| 17 | 1 | 02-01-071 | Mechanical Seal | Tungsten Carbide |
| 1A-1E | 1 | 02-01-111 | Casing 3 x 2 x 13 | Hard Iron |
| 2 | 1 | 02-01-112 | Impeller 3 x 2 x 13 - XX" | Hard Iron |
| 1A-1E | 1 | 02-01-113 | Casing, 4 x 3 x 13 | Hard Iron |
| 1E | 1 | 02-01-114 | Casing Wear Pad 4 x 3 x 13 | Hard Iron |
| 2 | 1 | 02-01-115 | Impeller 4 x 3 x 13 - XX" | Hard Iron |

| | | | | |
|----------------|---|-----------|-----------------------------|-----------|
| 1A-1E | 1 | 02-01-116 | Casing, 5 x 4 x 14 | Hard Iron |
| 1E | 1 | 02-01-117 | Casing Wear Pad 5 x 4 x 14 | Hard Iron |
| 2 | 1 | 02-01-118 | Impeller 5 x 4 x 14 - XX" | Hard Iron |
| 1A-1E | 1 | 02-01-119 | Casing, 6 x 5 x 11 | Hard Iron |
| 1E | 1 | 02-01-120 | Casing Wear Pad 6 x 5 x 11 | Hard Iron |
| 2 | 1 | 02-01-121 | Impeller 6 x 5 x 11 - XX" | Hard Iron |
| 1A-1E | 1 | 02-01-122 | Casing, 6 x 5 x 14 | Hard Iron |
| 1E | 1 | 02-01-123 | Casing Wear Pad 6 x 5 x 14 | Hard Iron |
| 2 | 1 | 02-01-124 | Impeller 6 x 5 x 14 -XX" | Hard Iron |
| 1A-1E | 1 | 02-01-125 | Casing, 8 x 6 x 11 | Hard Iron |
| 1E | 1 | 02-01-061 | Casing Wear Pad 8 x 6 x 11 | Hard Iron |
| 2 | 1 | 02-01-060 | Impeller 8 x 6 x 11 - XX" | Hard Iron |
| 1A-1E | 1 | 02-01-126 | Casing, 8 x 6 x 14 | Hard Iron |
| 1E | 1 | 02-01-127 | Casing Wear Pad 8 x 6 x 14 | Hard Iron |
| 2 | 1 | 02-01-128 | Impeller 8 x 6 x 14 - XX" | Hard Iron |
| 1A-1E | 1 | 02-01-129 | Casing, 10 x 8 x 14 | Hard Iron |
| 1E | 1 | 02-01-130 | Casing Wear Pad 10 x 8 x 14 | Hard Iron |
| 2 | 1 | 02-01-131 | Impeller 10 x 8 x 14 - XX" | Hard Iron |
| | | | | |
| *Kits: | | | | |
| 1A, 2A, 7C | | 02-01-063 | Fluid End Gasket Kit | |
| 10B, 12A, 13B | | 02-01-064 | Power End Gasket Kit | |
| 10C, 10 F, 13C | | 02-01-065 | Grease Seal Kit | |
| 14A, 14B | | 02-01-066 | Locknut Kit | |
| Special Tools: | | 02-01-072 | Impeller Removal Tool | |
| | | | | |

* Does Not Have A Replaceable Wear Pad

XX= Must be replaced with impeller diameter code