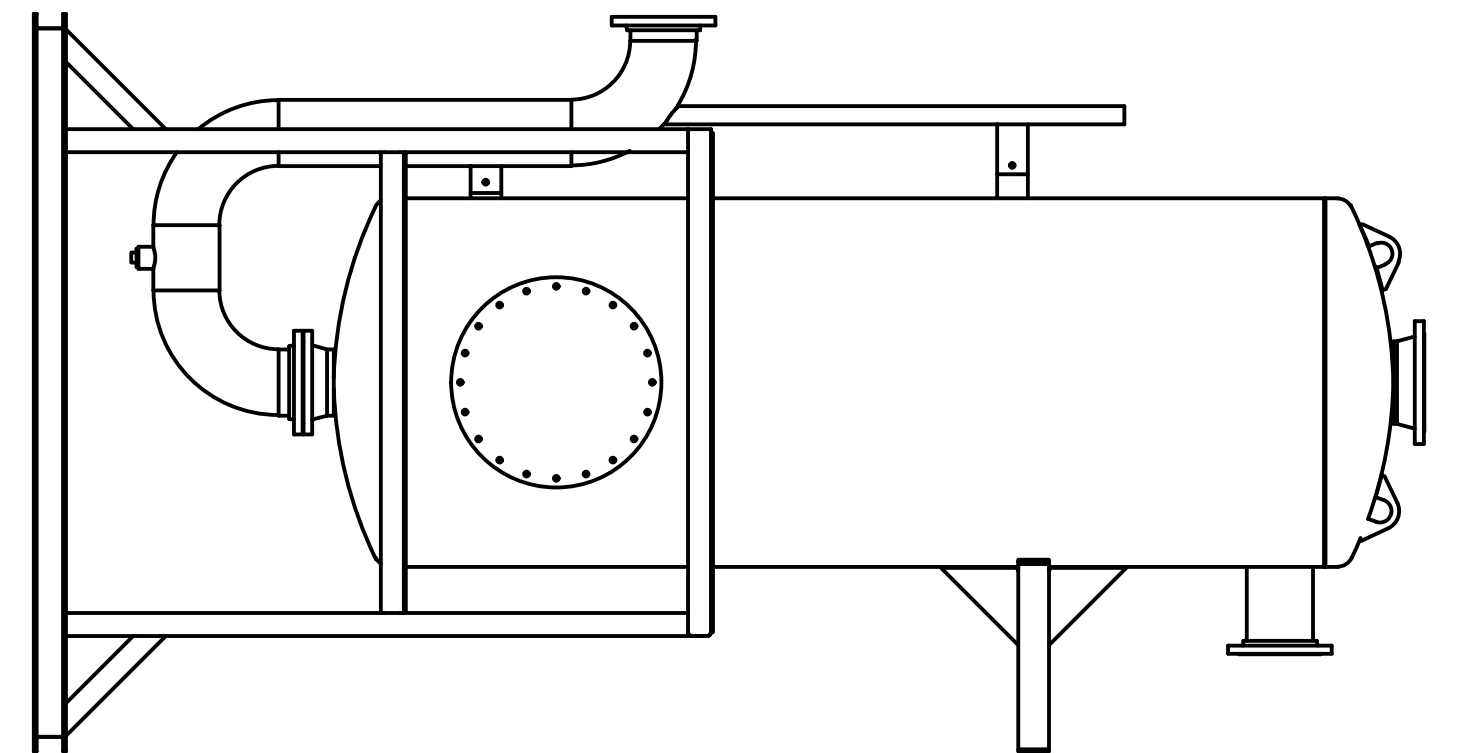
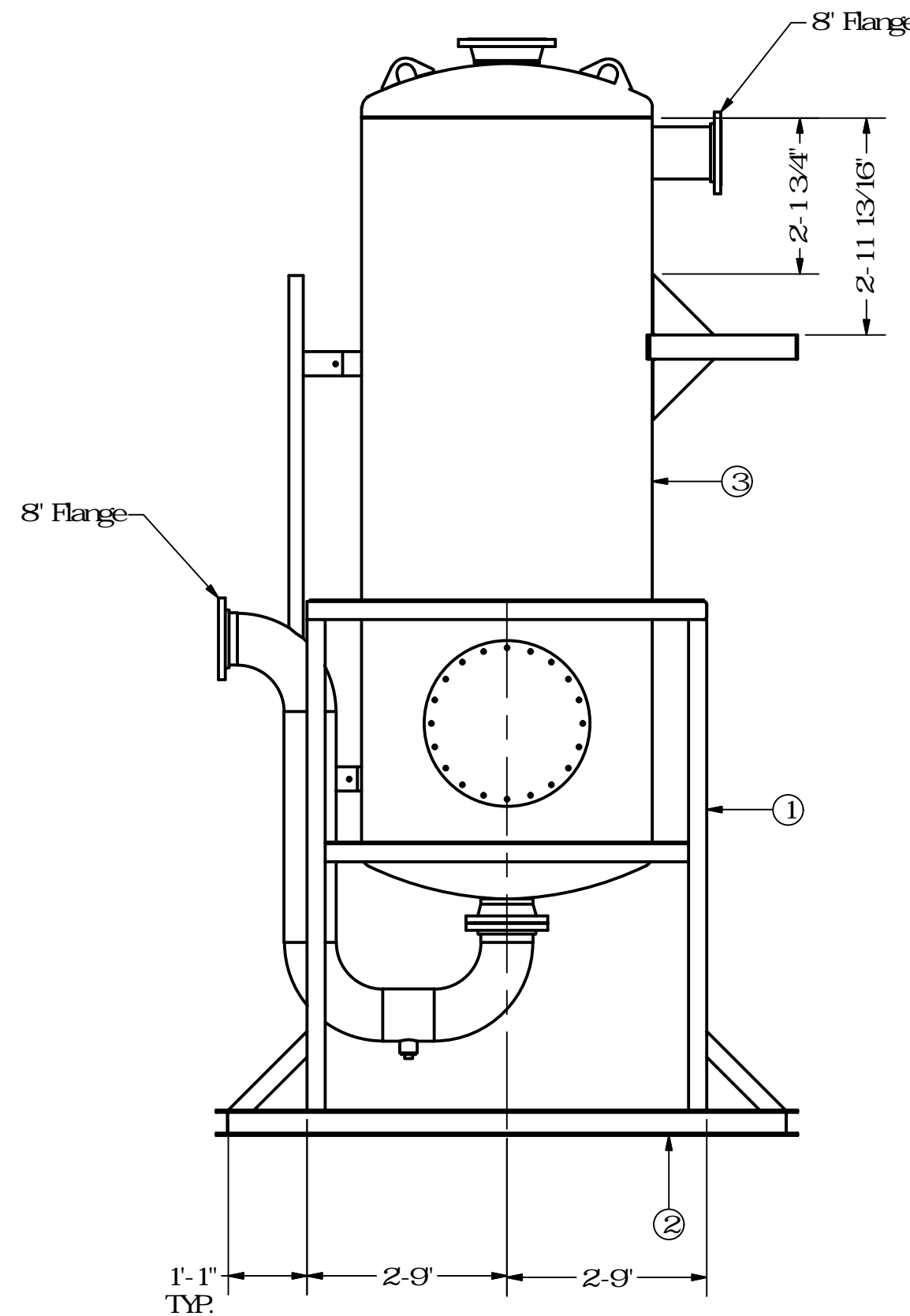
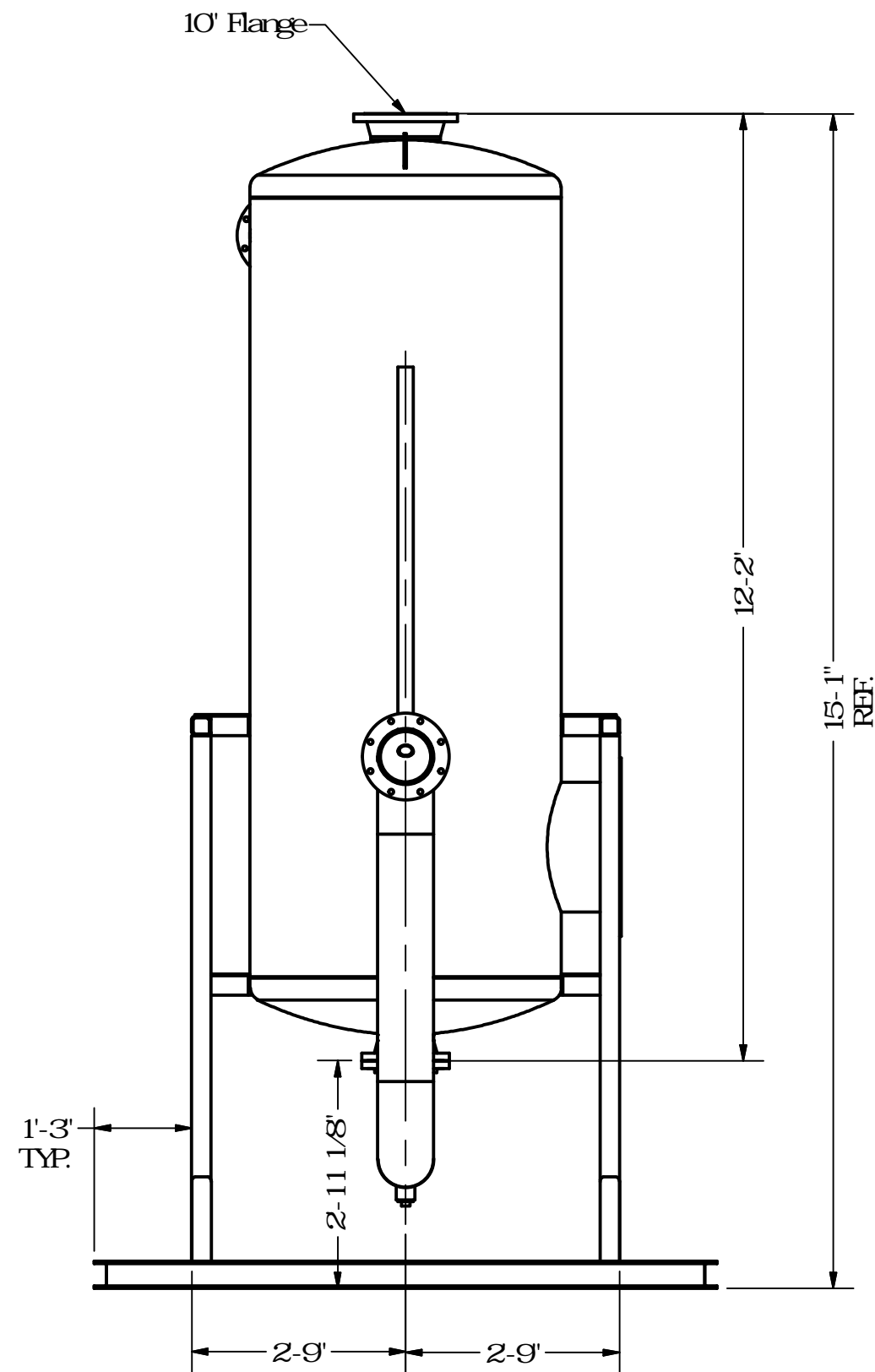
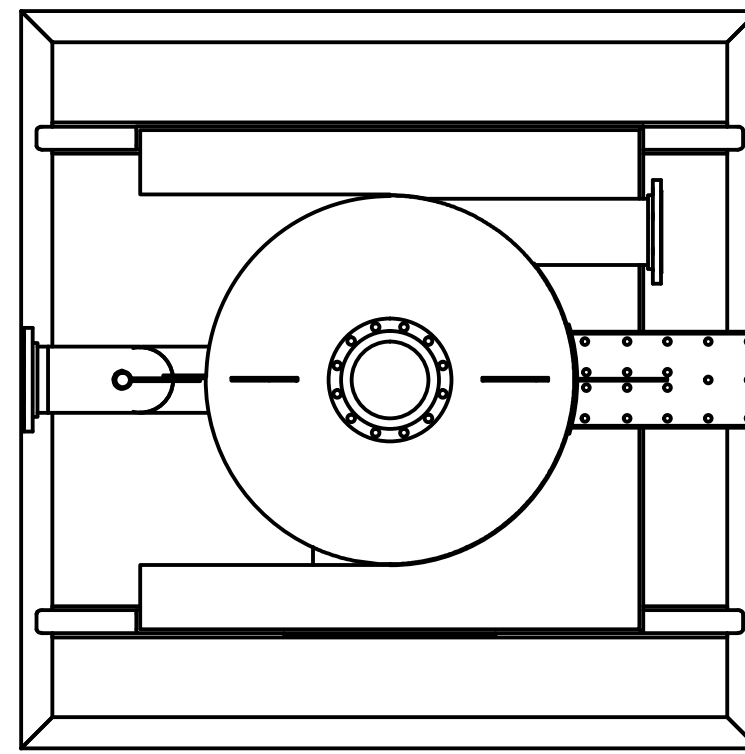


PARTS LIST		
ITEM	ITEM QTY	PART NUMBER
1	1	SUPPORT FRAME
2	1	BASE FRAME
3	1	VESSEL



WELD NOTE:  
 -ALL WELDS TO BE 1/4" MINIMUM CONTINUOUS,  
 AND FULLY PENETRATED UNLESS NOTED  
 -GAP ALL PIPE AND PIPE FITTINGS 1/16"

REVISION HISTORY			
REV	DESCRIPTION	DATE	DESIGNER
0	INITIAL RELEASE		

DRAWN KICKARD	1/3/2013
CHECKED WADE JOHNSON	
QA	
MFG	
APPROVED CLIFF CANTON	

ISSUED FOR CONSTRUCTION		
DATE	JOB	APPROVED

<b>03-02-254</b>		
TITLE		
<b>48IN MUD GAS SEPERATOR</b>		
SIZE C	DWG NO	REV O
SCALE	SHEET 1 OF 11	