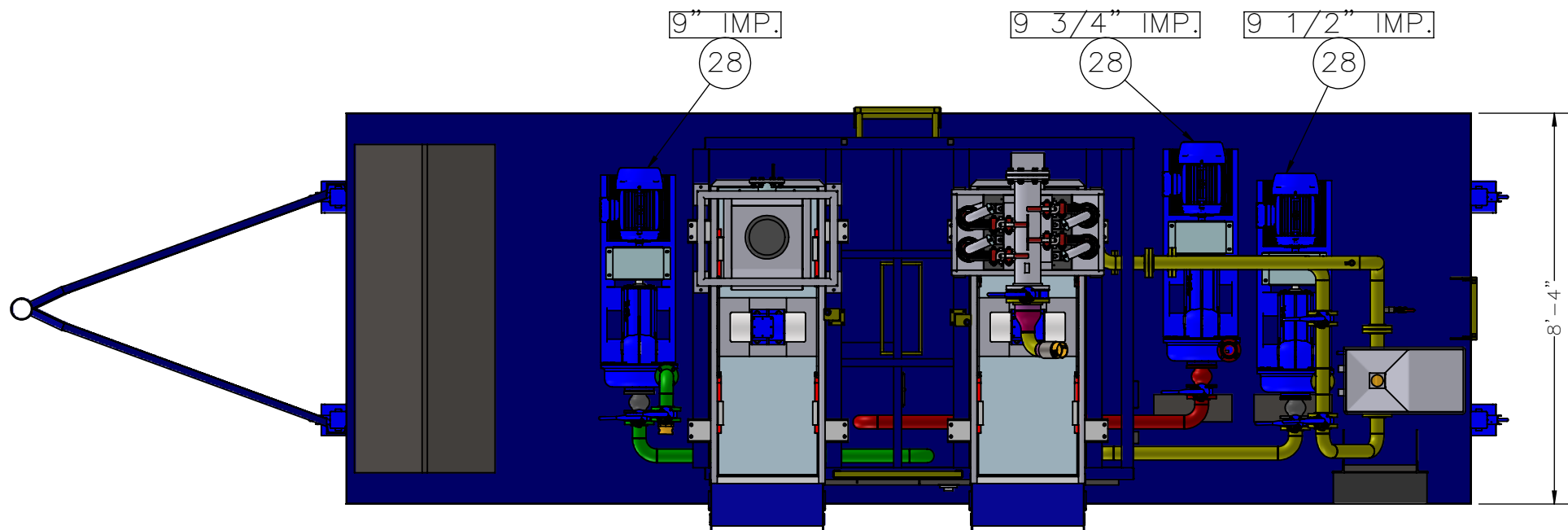


8 7 6 5 4 3 2 1

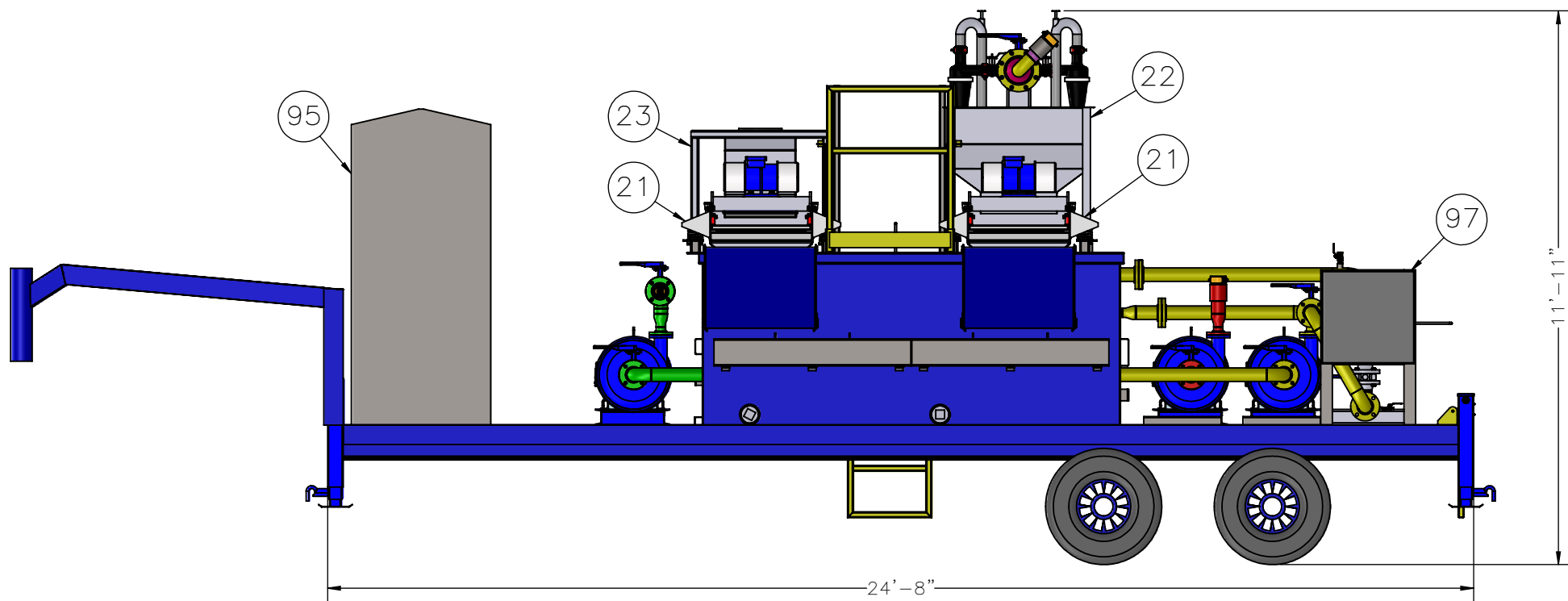
ITEM NO.	QTY.	DESCRIPTION	PartNo
21	2	126E PTP SHAKER	00-00-574
22	1	4-4 MC	03-01-010
23	1	PB 126E IND	03-01-297
28	3	2X3 15 HP PUMP & MOTOR W/ SKID	
95	1	50 KW GEN SET	03-01-730
97	1	1500 ELECTRICAL PANEL	12-00-787

D



C

B



A

REVISIONS			
REV.	DESCRIPTION	DATE	APPROVED

PROPRIETARY AND CONFIDENTIAL
 THE INFORMATION CONTAINED IN THIS DRAWING IS THE SOLE PROPERTY OF TRIFLO. ANY REPRODUCTION IN PART OR AS A WHOLE WITHOUT THE WRITTEN PERMISSION OF TRIFLO IS PROHIBITED.

MACHINING TOLERANCES:
 FRACTIONAL = ± 1/64
 .X = ± .03
 .XX = ± .015
 .XXX = ± .005
 ANGULAR ± 1/2"
 ALL DIMENSIONS IN INCHES

NAME	DATE
DRAWN	
CHECKED	
ENG APPR.	
MFG APPR.	

Triflo		
TITLE: 1500 ON GOOSENECK		
SIZE DWG. NO.	JOB. NO.	REV
B 15-00-001 (ASSM)		A-02
SCALE: 1:96	WEIGHT: 76472.82	SHEET 1 OF 1

8 7 6 5 4 3 2 1