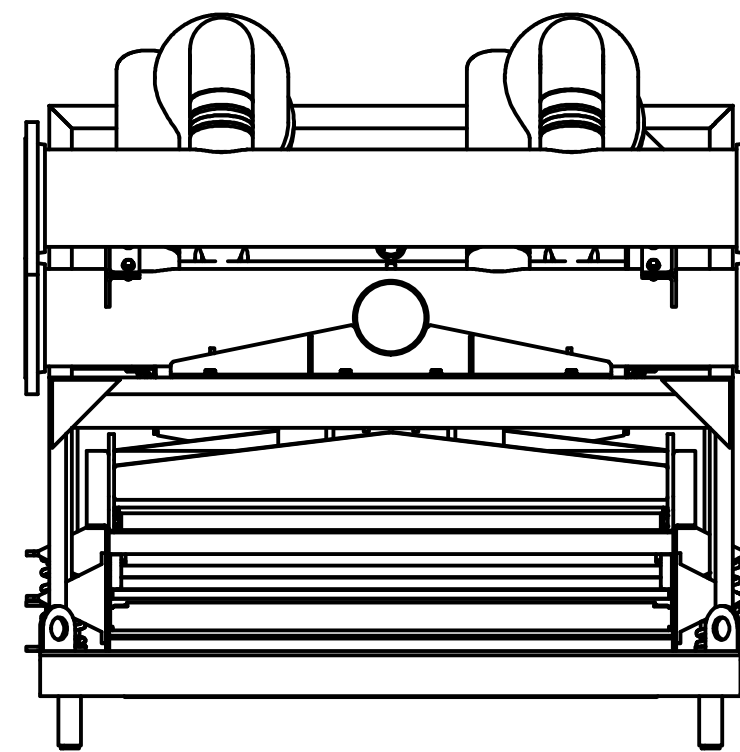
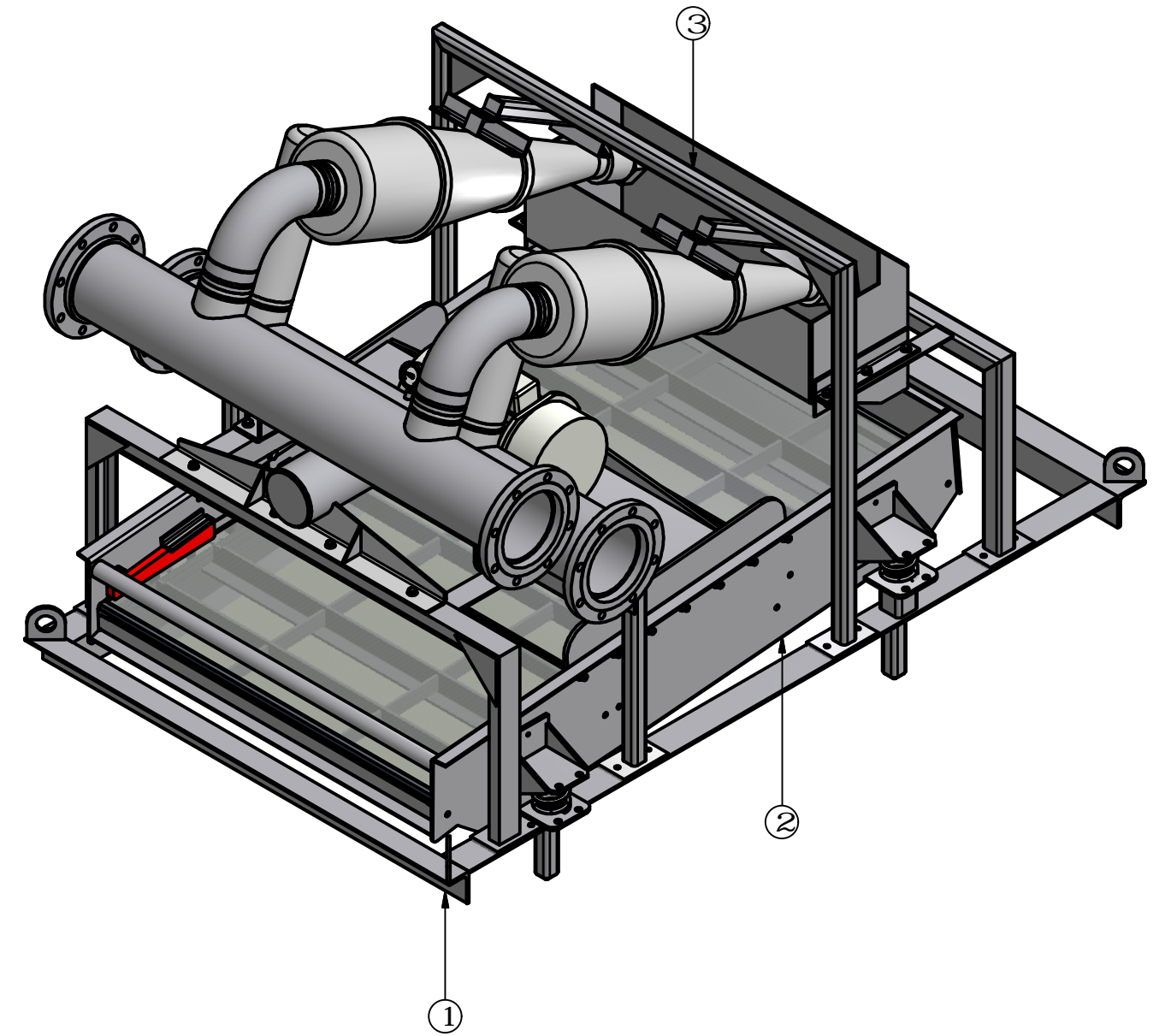
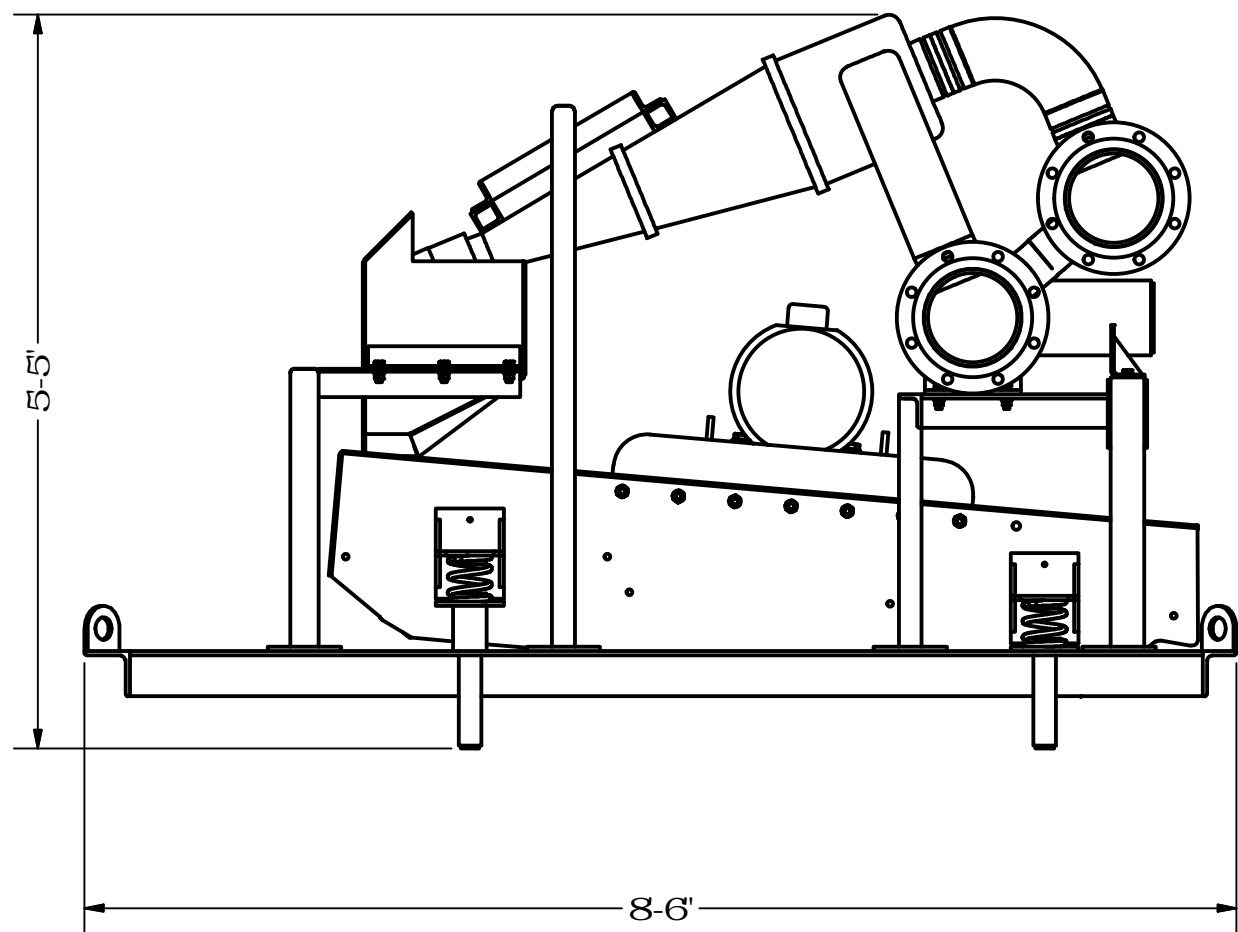
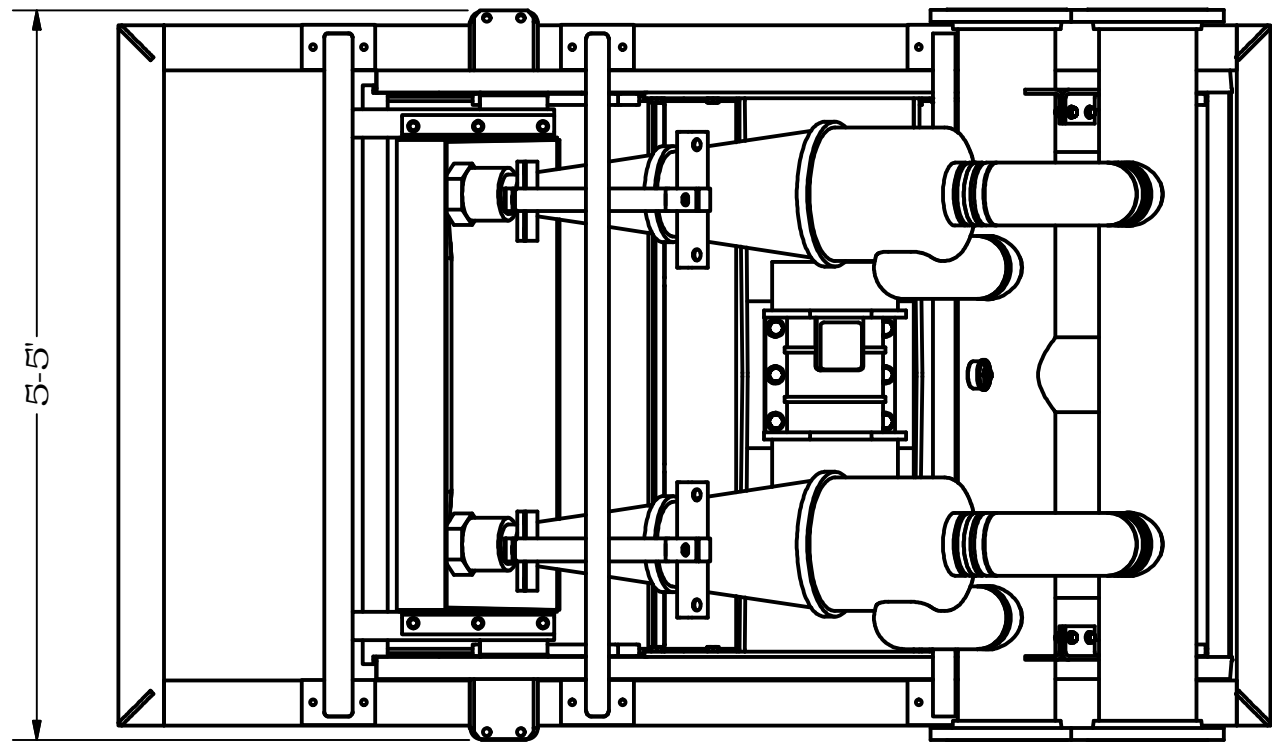


ITEM	ITEM QTY	DESCRIPTION	STRUCTURAL	WEIGHT LB
1	1	14EE PIP CUT AWAY SKID	03-00-532	230
2	1	14EE PIP SHAKER	03-02-051	1523
3	1	2 10MLD CLEANER	03-02-561	1083



WELD NOTE:  
 -ALL WELDS TO BE 1/4" MINIMUM CONTINUOUS,  
 AND FULLY PENETRATED UNLESS NOTED  
 -GAP ALL PIPE AND PIPE FITTINGS 1/16"

REVISION HISTORY			
REV	DESCRIPTION	DATE	DESIGNER
0	INITIAL RELEASE		

DRAWN	RCT	8/29/2013
CHECKED	WADE JOHNSON	
QA		
MFG		
APPROVED	CLIFF CANTON	

ISSUED FOR CONSTRUCTION		
DATE	JOB	APPROVED
<b>12-00-003</b>		
14EE PIP CUT AWAY		
SIZE	DWG NO	REV
C		0
SCALE	SHEET 1 of 5	