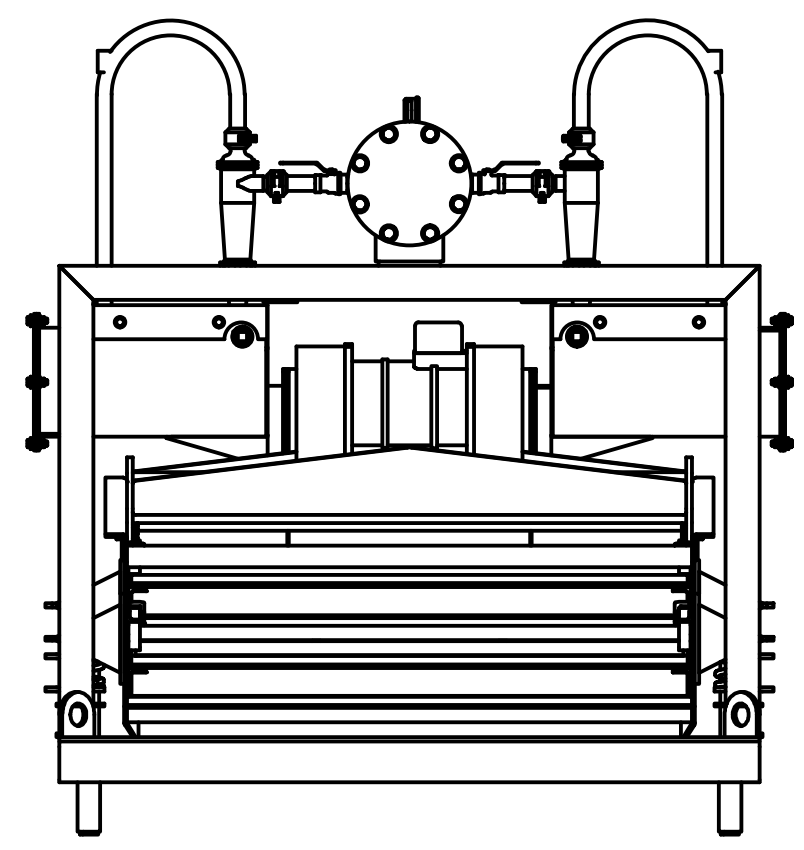
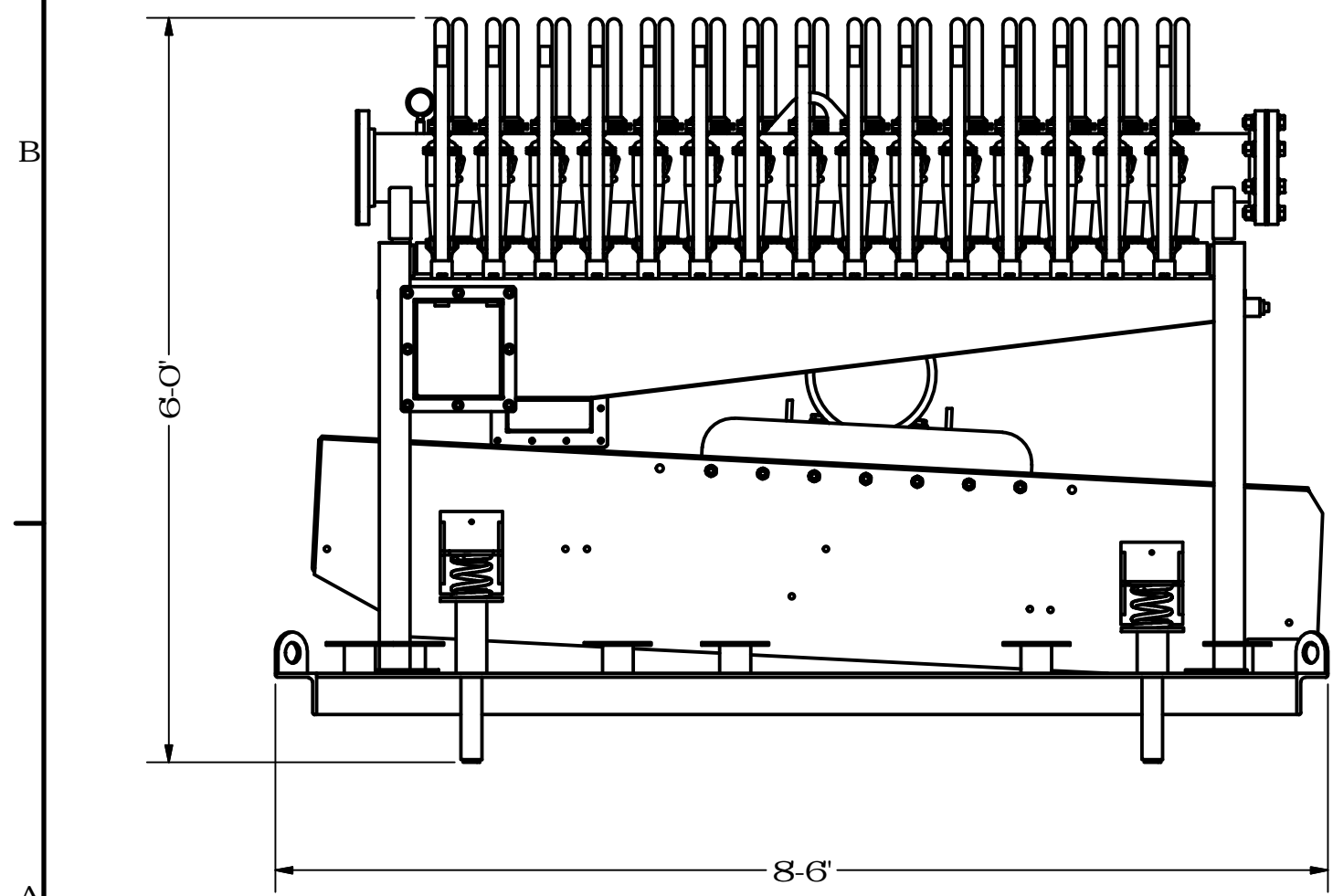
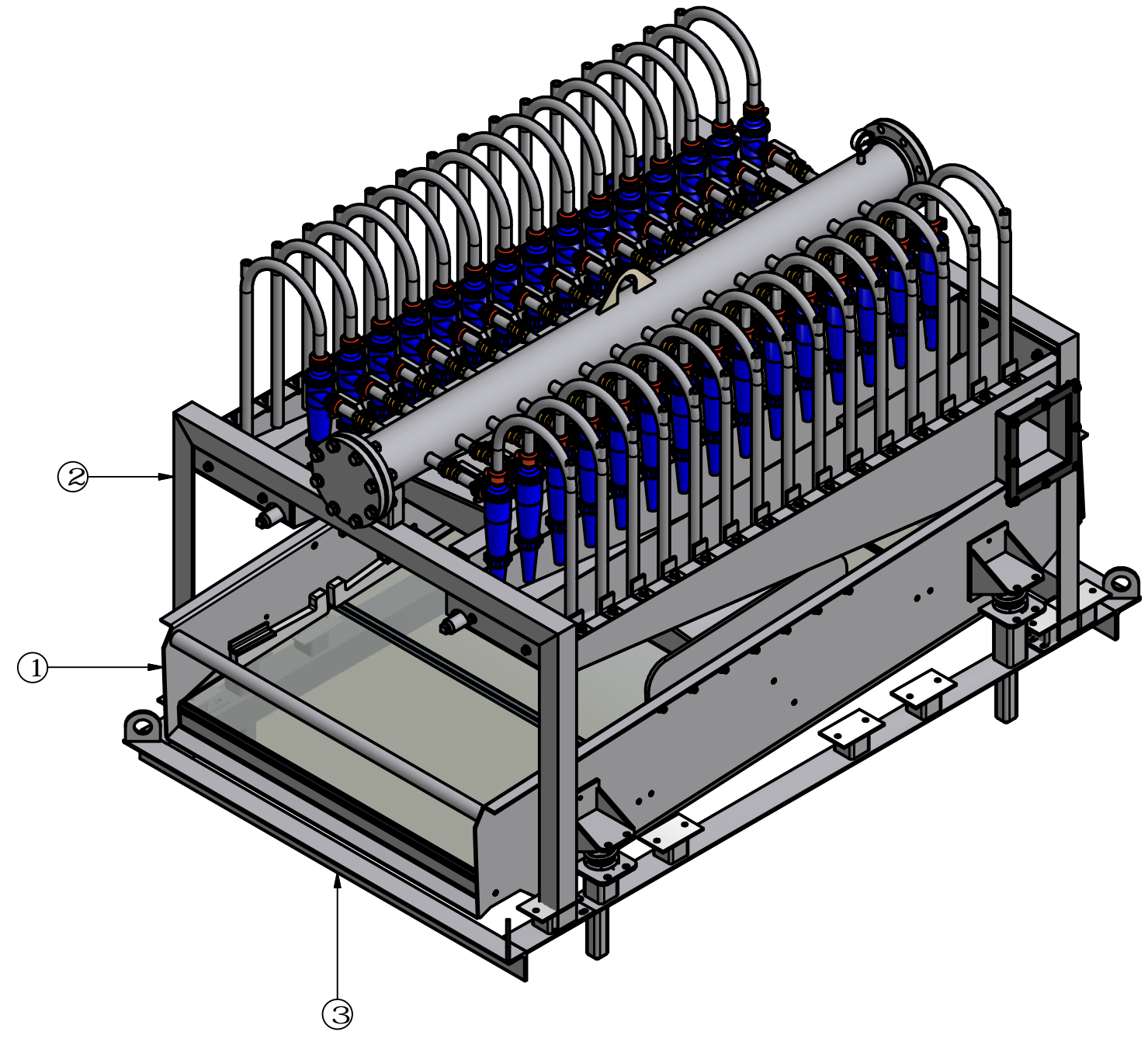
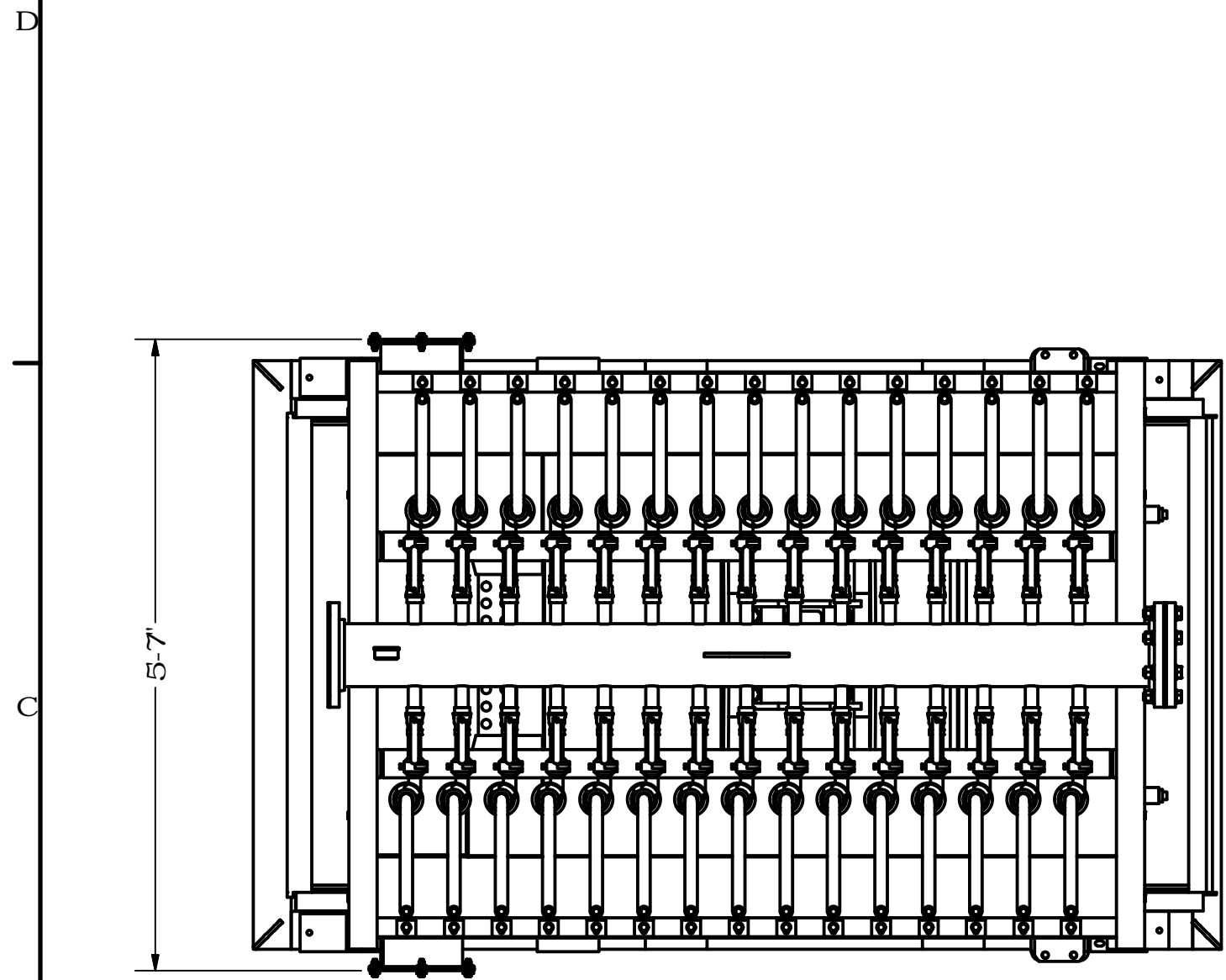


TRIFLO				
ITEM	ITEM QTY	DESCRIPTION	STRUCTURAL	WEIGHT LB
1	1	148E PIP SHAKER	03-01-670	1797
2	1	30-2 MLD CLEANER	03-00-092	1424
3	1	148E PIP CUT AWAY SKID	12-00-090	322



DRAWN RCT	9/5/2013	30-2 OVER 148E PIP		
CHECKED WADE JOHNSON QA				
MFG		TITLE		
APPROVED CLIFF CANTON		148E PIP CUT AWAY		
		SIZE C	DWG NO	REV O
		SCALE	SHEET 2 OF 5	