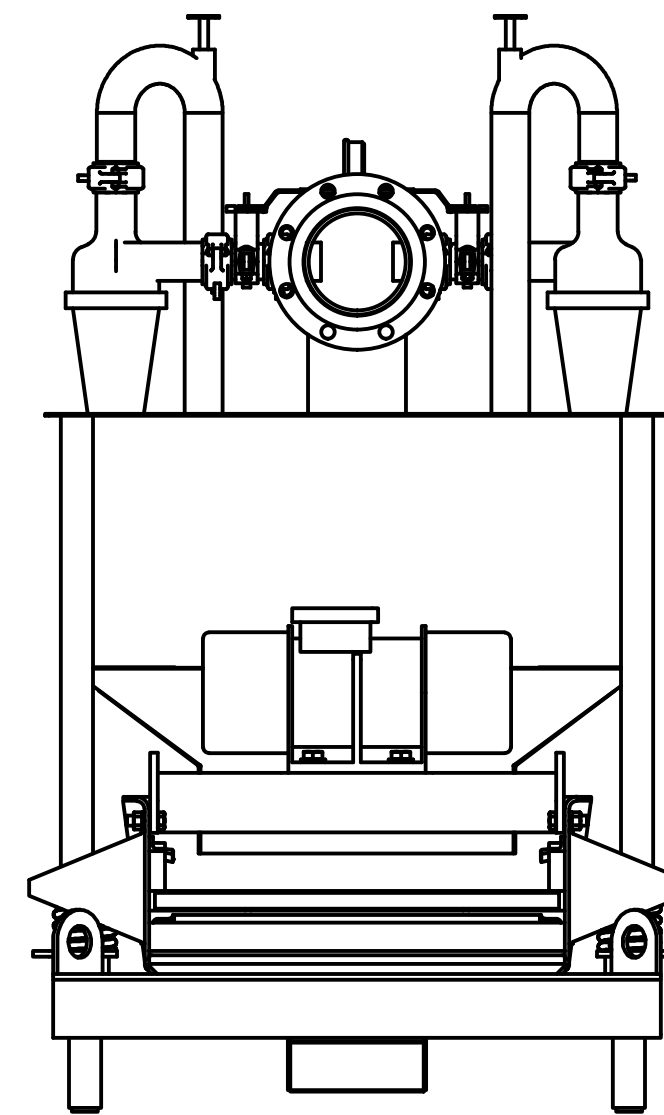
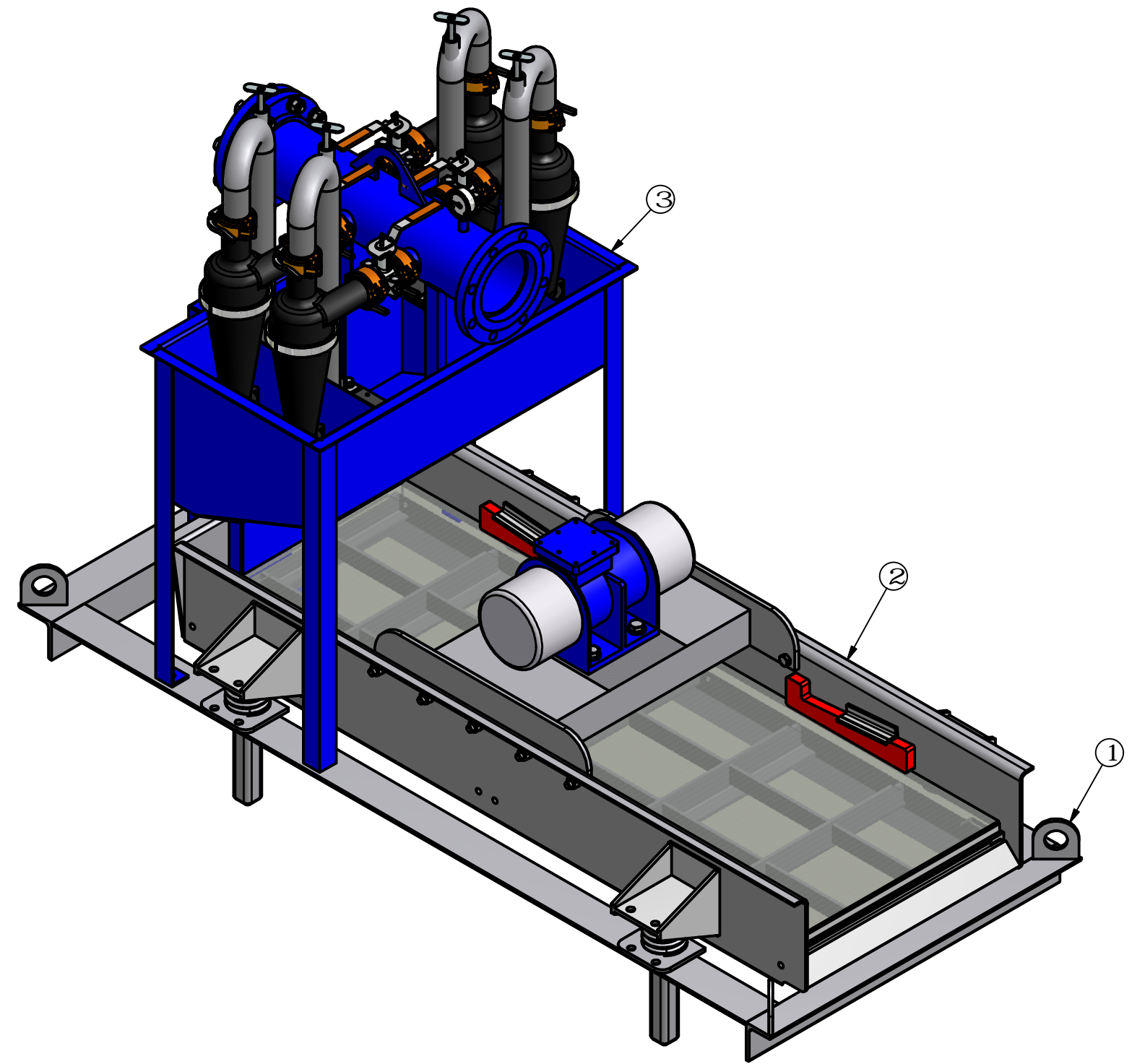
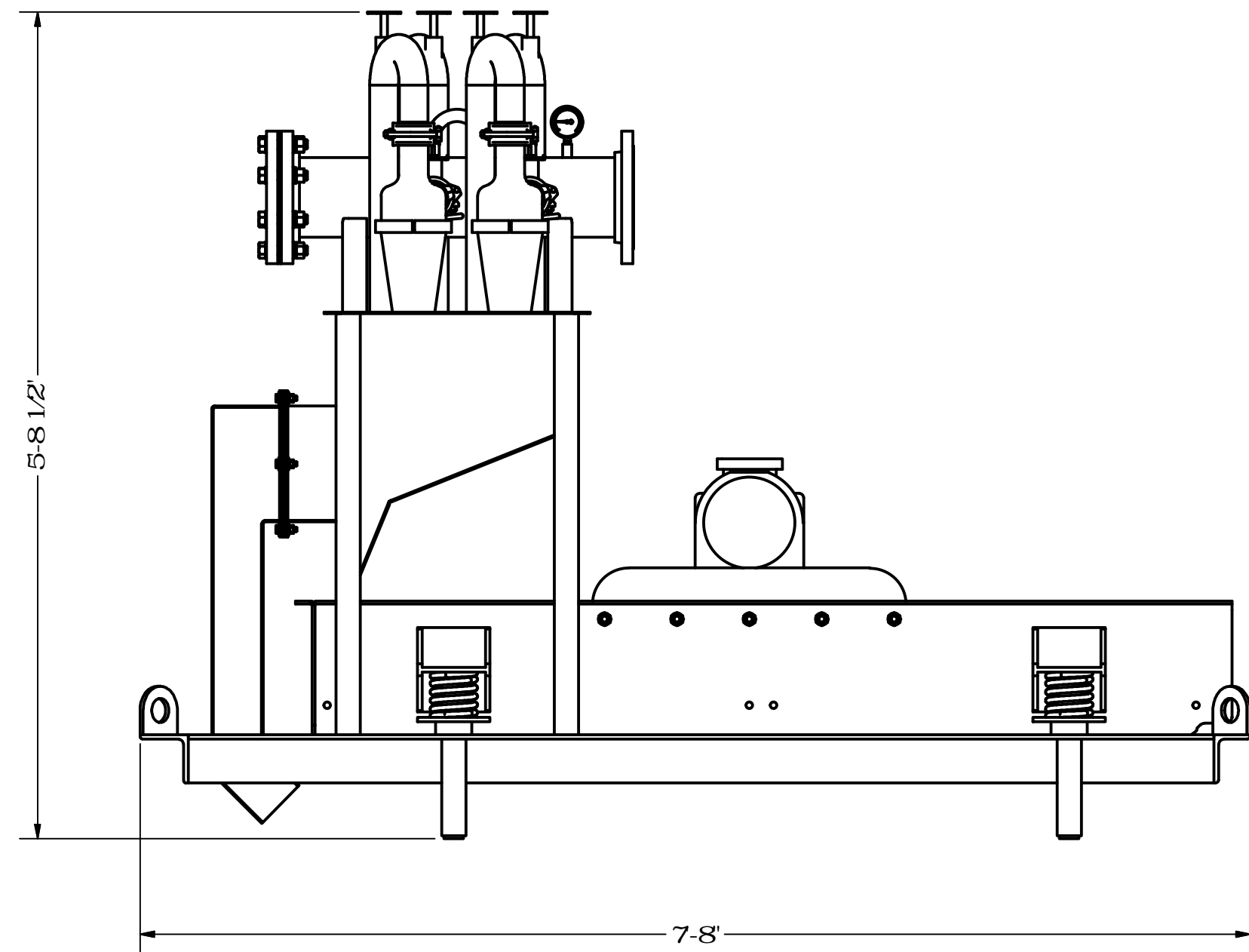
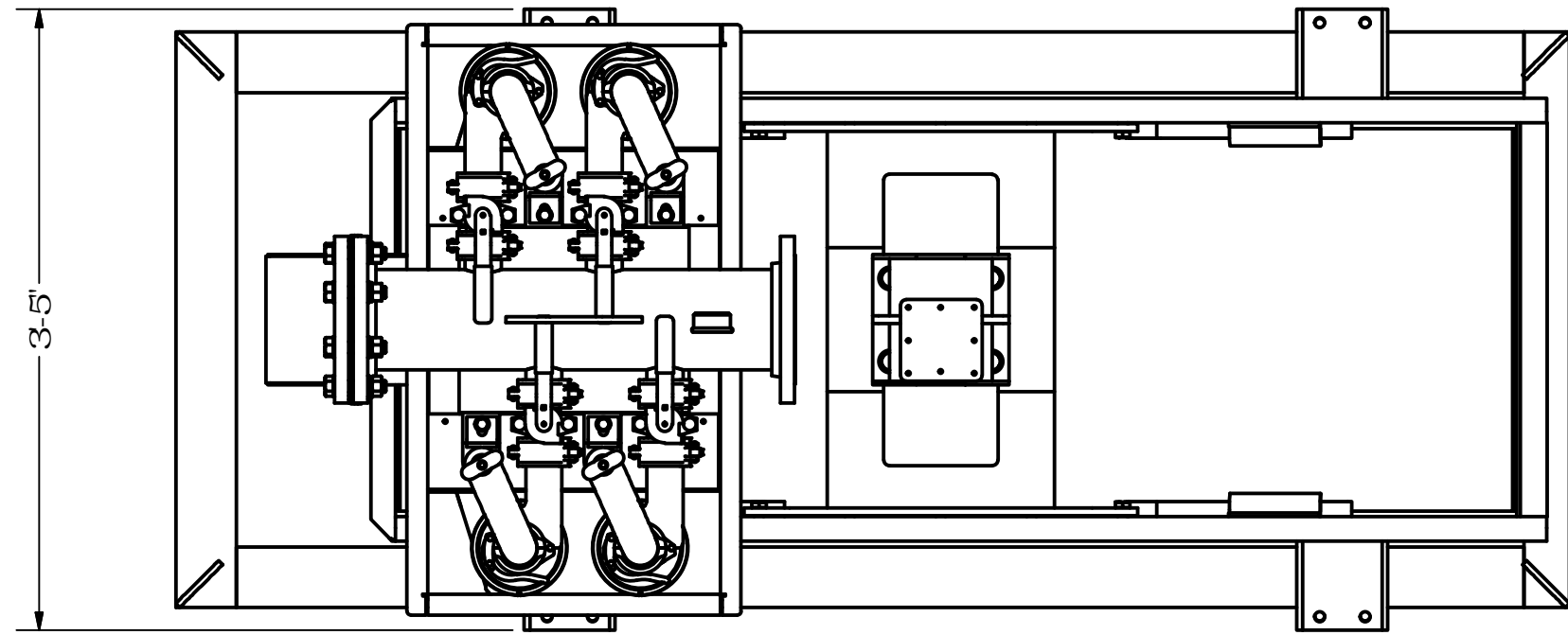


TRIFLO			
ITEM	DESCRIPTION	STRUCTURAL	WEIGHT LBS
1	12EE PIP CUT AWAY SKID	03-00-533	234
2	12EE PIP	00-00-574	736
3	4-4 MUD CLEANER	03-01-010	461



DRAWN RCT	9/3/2013	4-4 MUD CLEANER	
CHECKED WADE JOHNSON		TITLE	
QA		12EE PIP CUT AWAY	
MFG		SIZE C	DWG NO
APPROVED CLIFF CANTON		SCALE	REV O
		SHEET 4 OF 4	