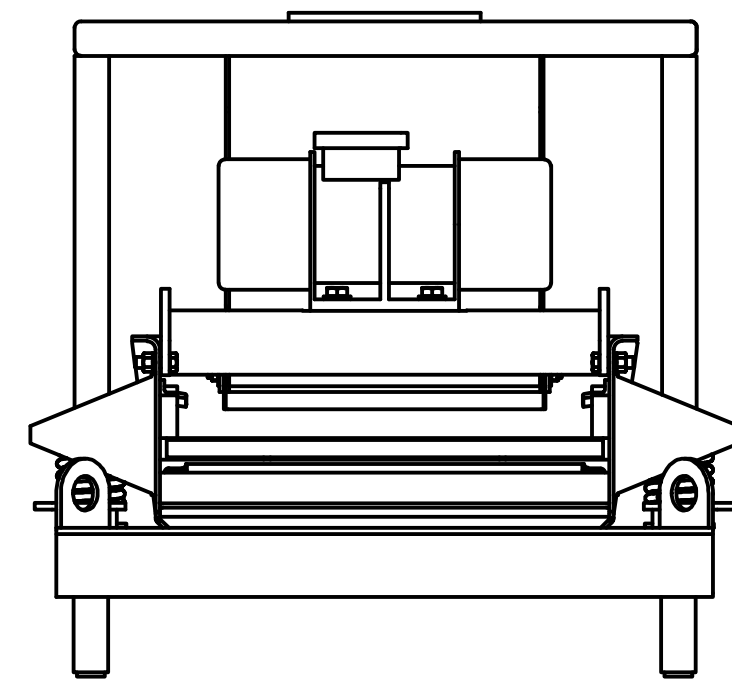
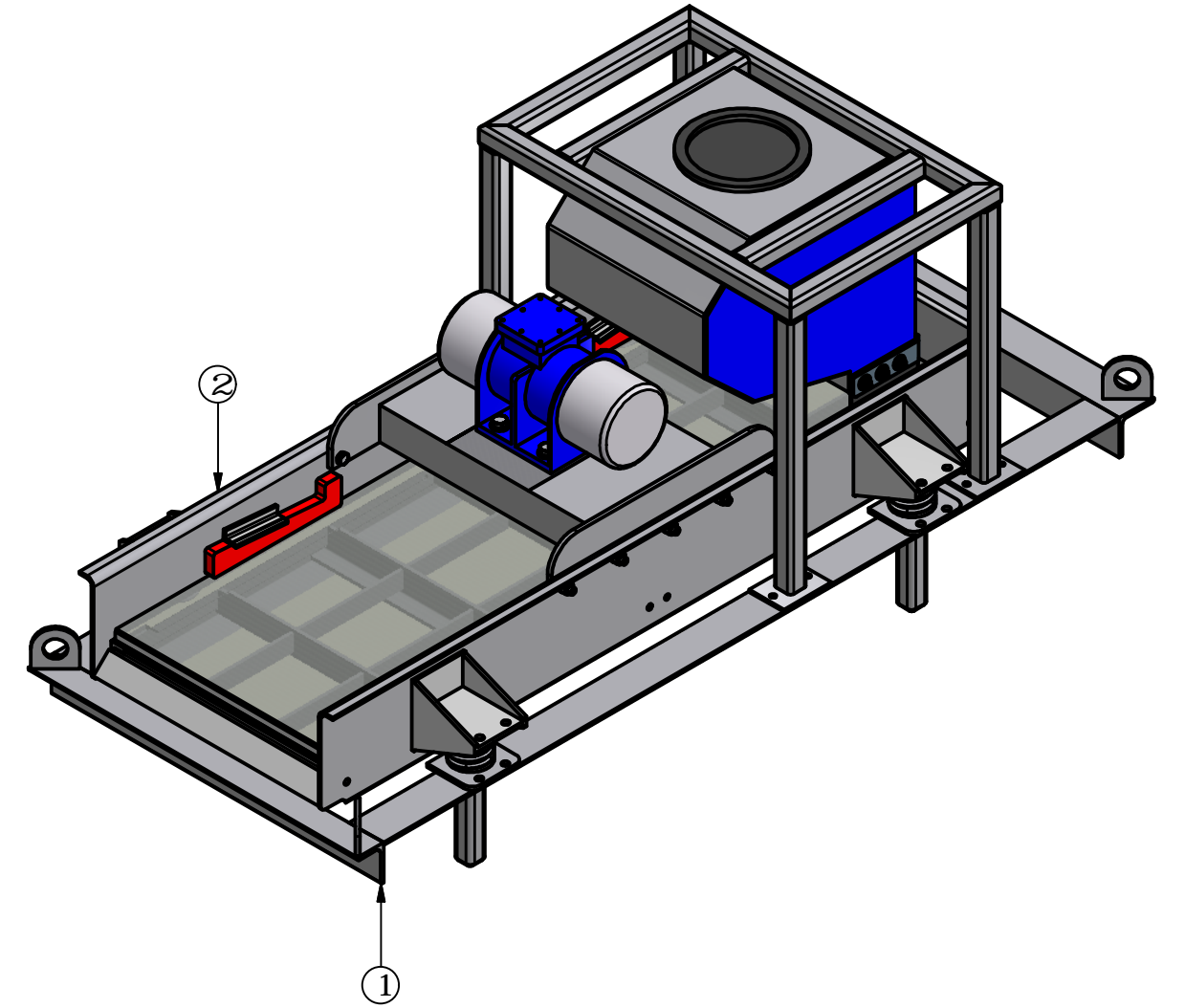
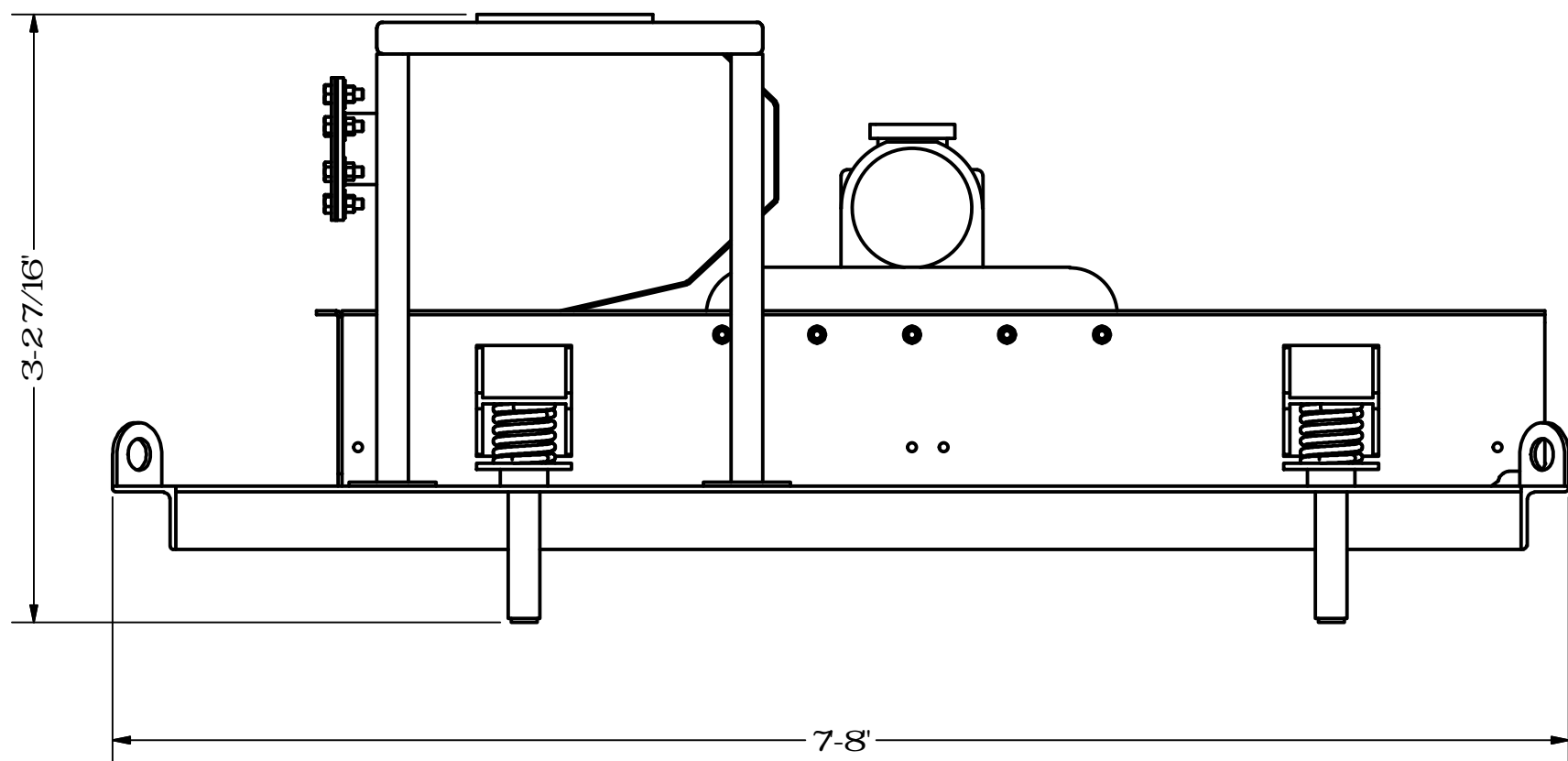
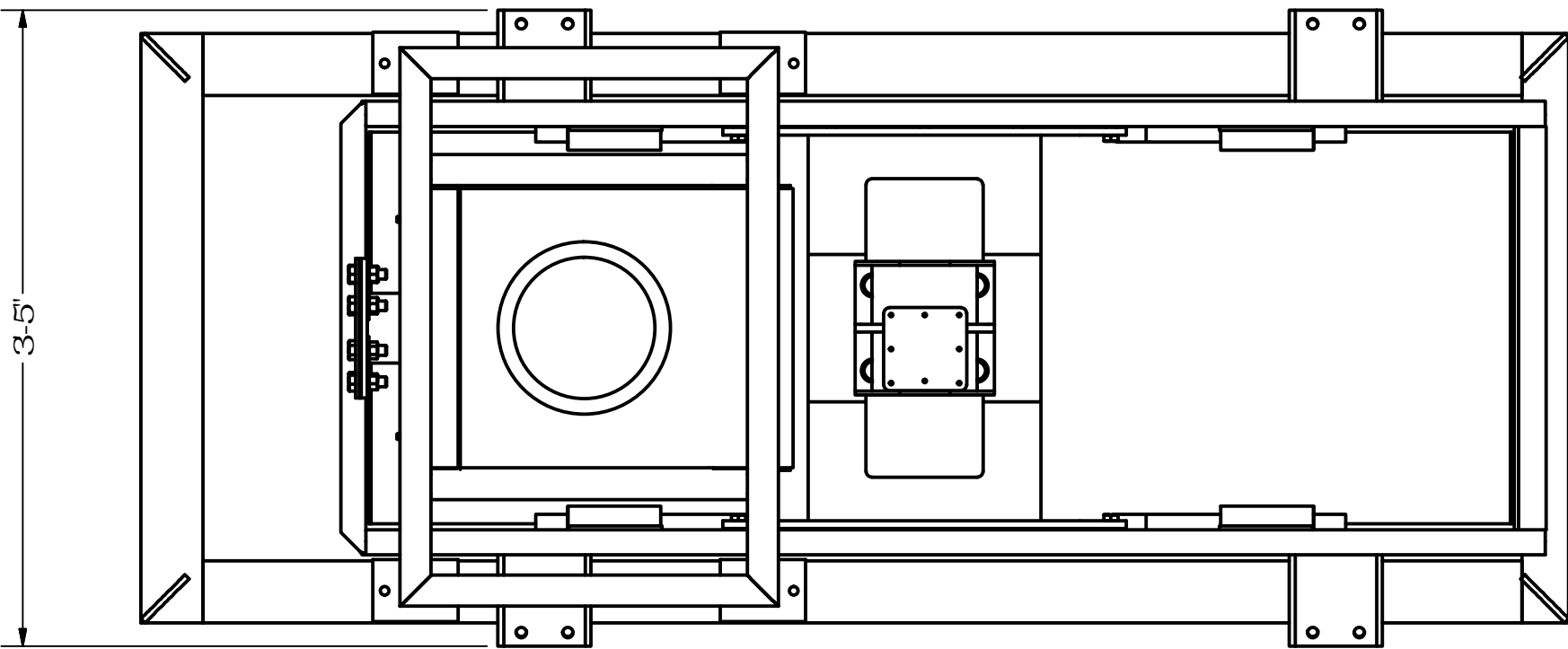


TRIFLO			
ITEM	DESCRIPTION	STRUCTURAL	WEIGHT LB
1	12"E PIP CUT AWAY SKID	03-00-533	234
2	12"E PIP-DERIVED	00-00-574	736
5	PB 12"E IND TOP LEVEL ASSY	03-01-294	264



DRAWN RCT	9/3/2013	12-00-085	
CHECKED WADE JOHNSON			
QA		TITLE	
MFG		12"E PIP CUT AWAY	
APPROVED CLIFF CANTON		SIZE C	DWG NO
		SCALE	REV O
			SHEET 3 OF 3