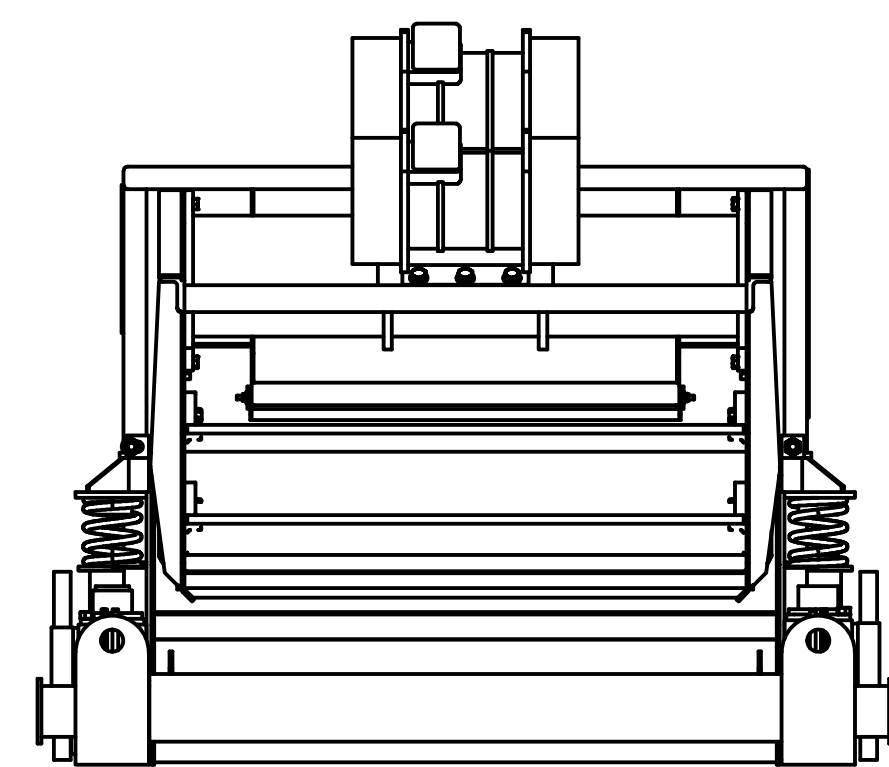
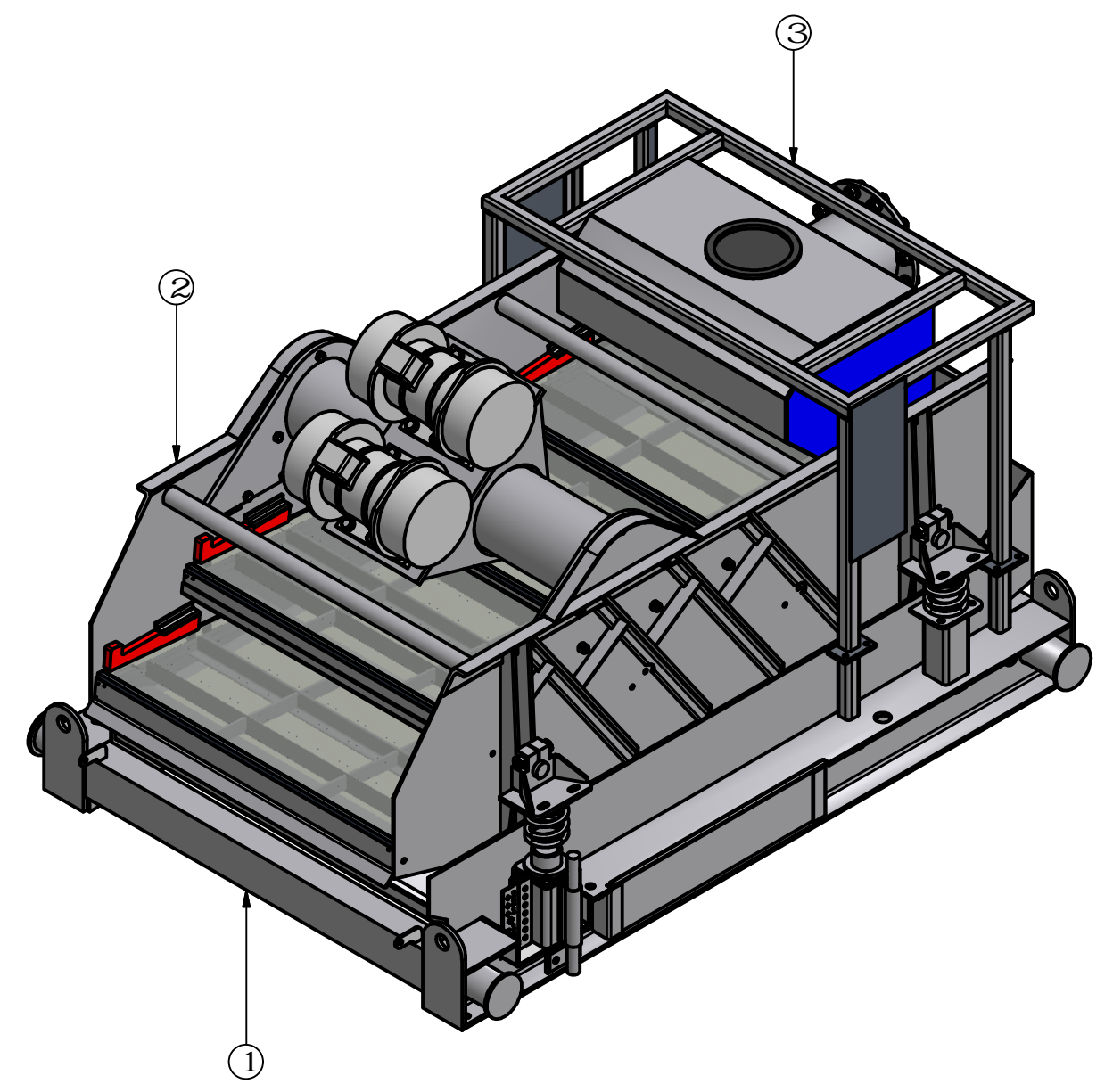
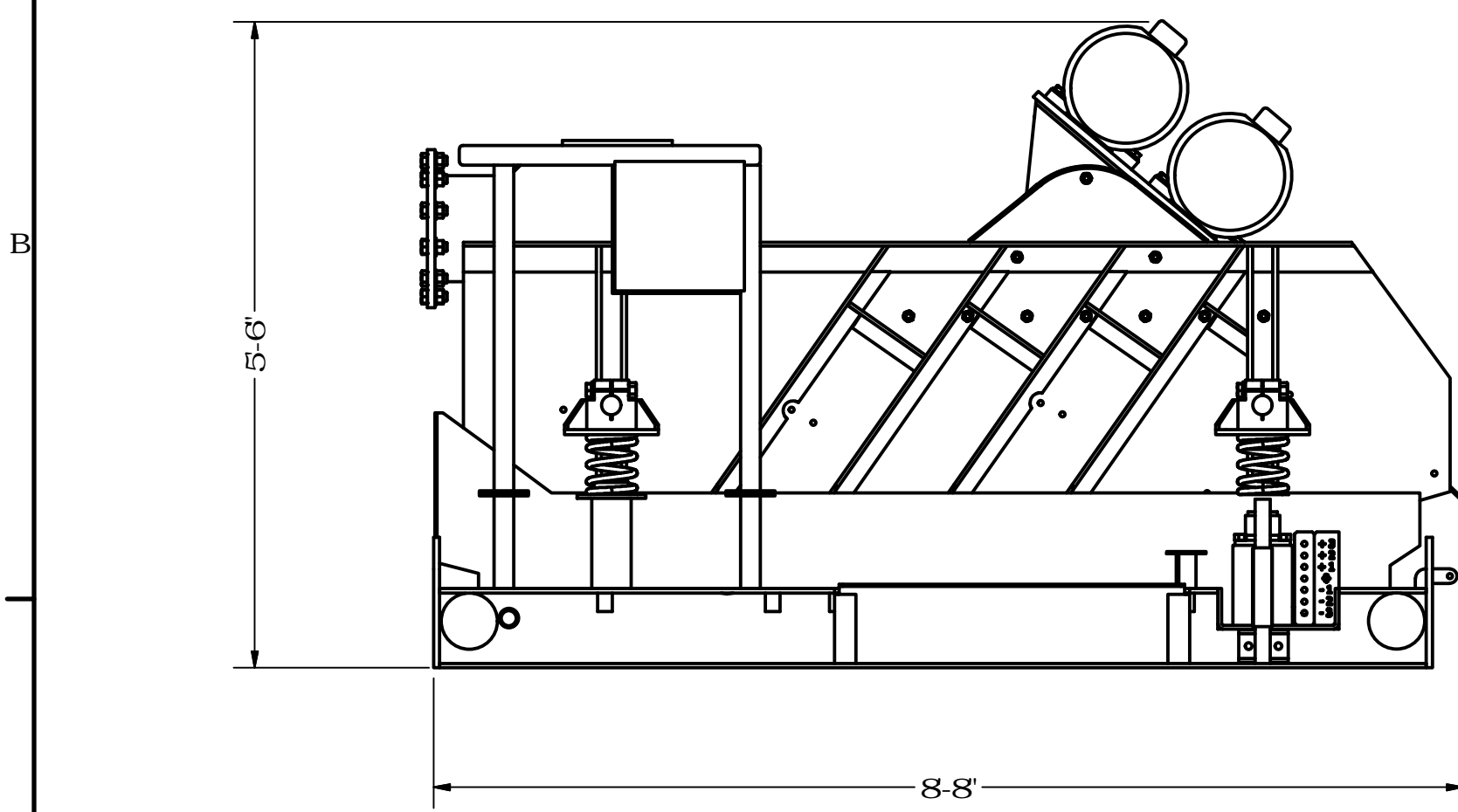
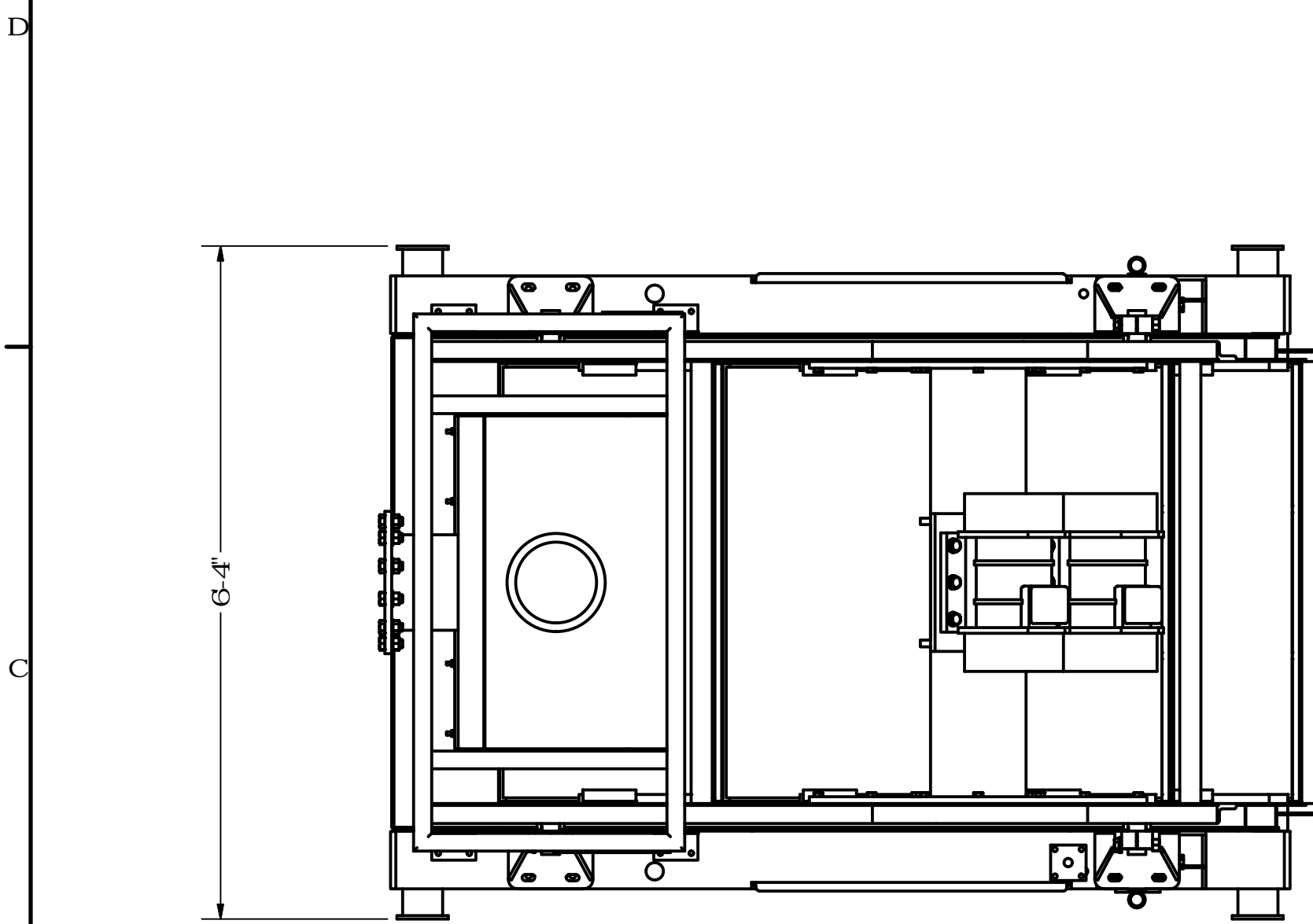


ITEM	ITEM QTY	DESCRIPTION	STRUCTURAL	WEIGHT LB
1	1	148L PIP CIL FIELD SKID	12-00-341	1615
2	1	148L PIP LINEAR SHAKER	12-00-460	353
3	1	146 148 IND FB	03-01-236	474



WELD NOTE:
 -ALL WELDS TO BE 1/4" MINIMUM CONTINUOUS,
 AND FULLY PENETRATED UNLESS NOTED
 -GAP ALL PIPE AND PIPE FITTINGS 1/16"

REVISION HISTORY			
REV	DESCRIPTION	DATE	DESIGNER
0	INITIAL RELEASE		

DRAWN	2/22/2012
CHECKED	WADE JOHNSON
QA	
MFG	
APPROVED	CLIFF CANTON

ISSUED FOR CONSTRUCTION		
DATE	JOB	APPROVED
12-00-344		
TITLE		
148L CIL FIELD SKID		
SIZE	DWG NO	REV
C		0
SCALE	SHEET 1 OF 1	